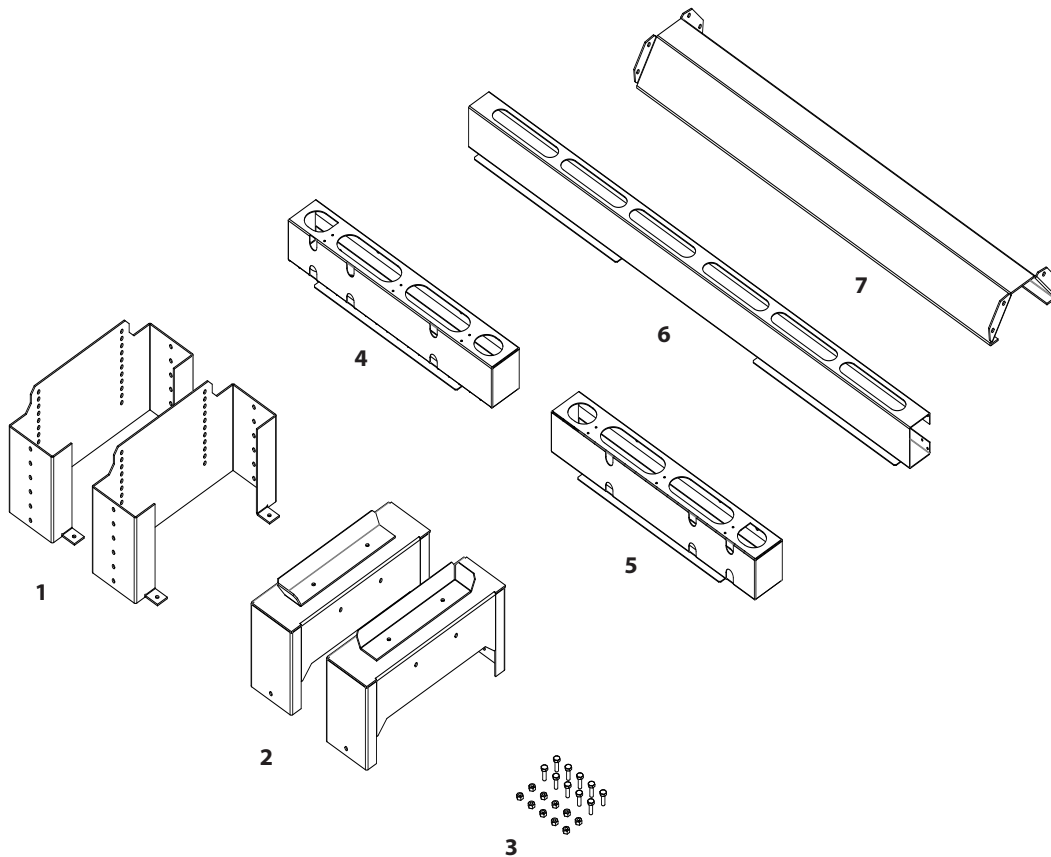


U Series Base Kit Instructions

To be used with:

- 50-4002 U30 Framing Base Kit
- 50-4008 U50 Framing Base Kit
- 50-4031 U70 Framing Base Kit



Kit Contents			
1	Outer Foot Stand	5	Framing Beam - Right
2	Foot Stand	6	Framing Beam - Front
3	Fasteners	7	Center Channel
4	Framing Beam - Left		

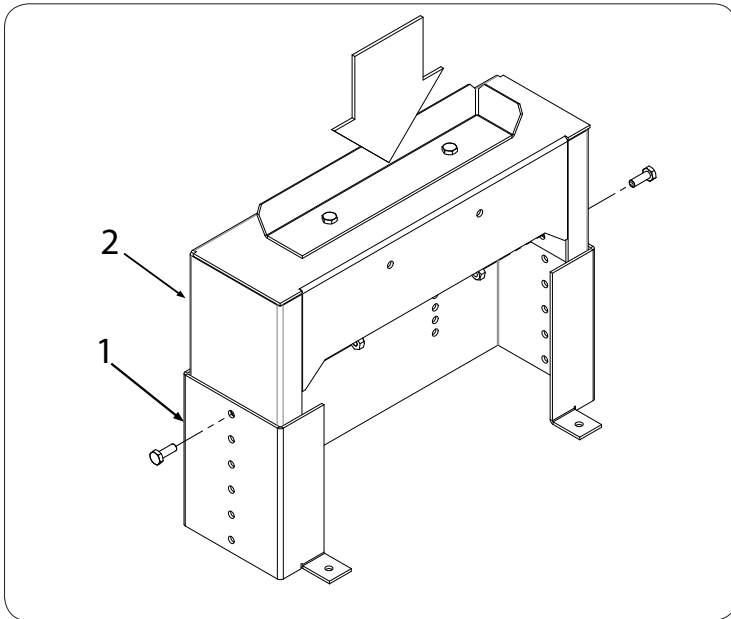
(50-4008 Used as example)

Take note before starting installation:

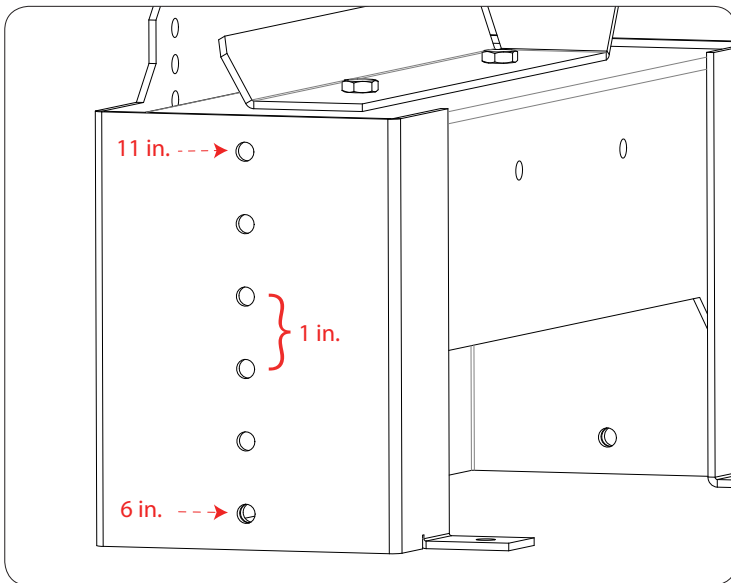
- This manual shows 1 of 3 base kit configurations.
The installation for each configuration and each unit remains the same as the method described in this manual.
- This manual also assumes that the unit has NOT been framed in place yet.

Base Kit Assembly

1. Slide the Foot Stands (2) into the Outer Foot Stands (1) as shown in the figure below.



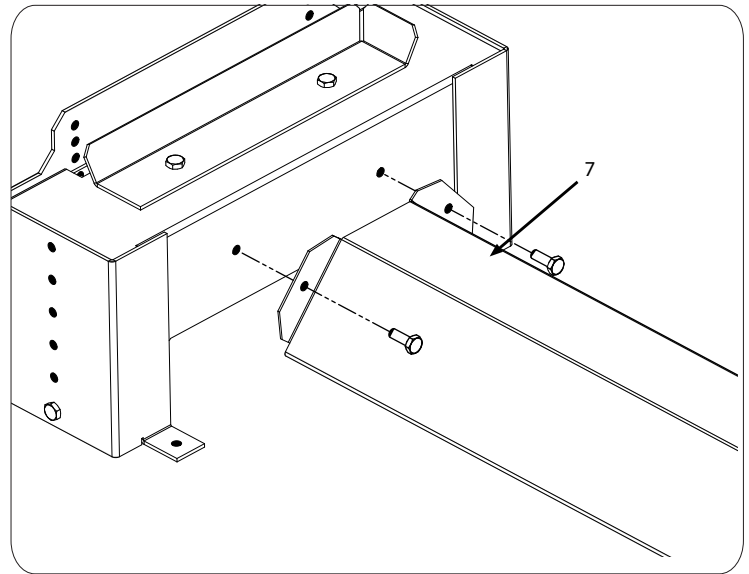
2. Set the height of the Foot Stand within the Outer Foot Stand and attach using provided fasteners. This height will determine the distance of the unit off the ground. Fastener holes are spaced incrementally by 1 in. to provide a height ranging from 6 to 11 in.



3. The legs of the fireplace can be adjusted for a more precise height (see fireplace installation manual).

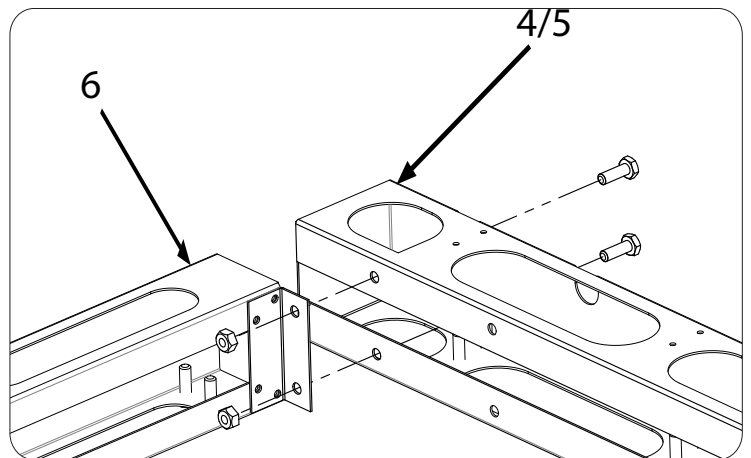
4. Repeat steps 1 & 2 for the second Foot Stand ensuring the same height is set.

5. Attach the Center Channel (7) to both Foot Stands.

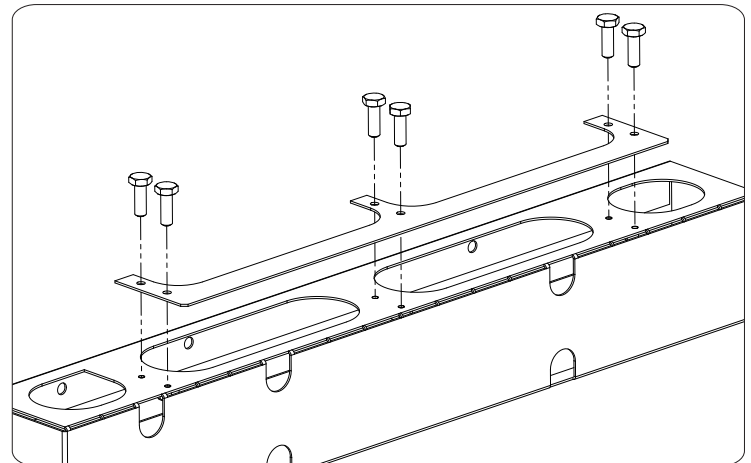


6. Put the Foot Stand Assembly aside for now.

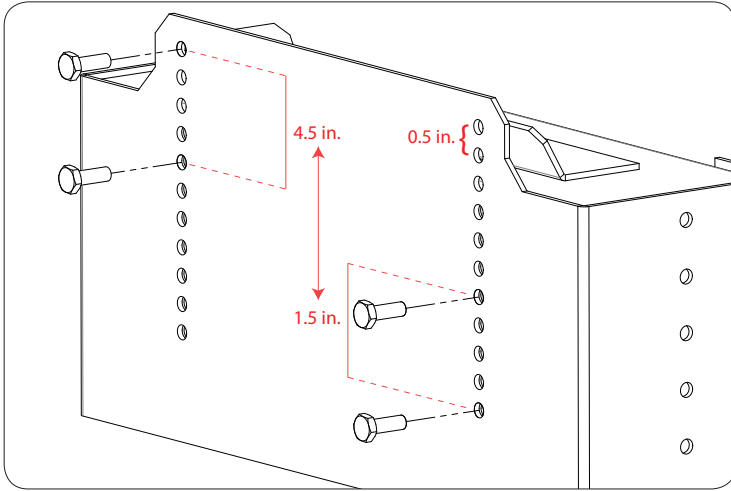
7. Attach the Framing Beams to each other using the pre-attached L brackets.



8. *NOTE. If necessary, the Tiling Flange attached to the Framing Beams can be removed by unattaching the fasteners (See Below)

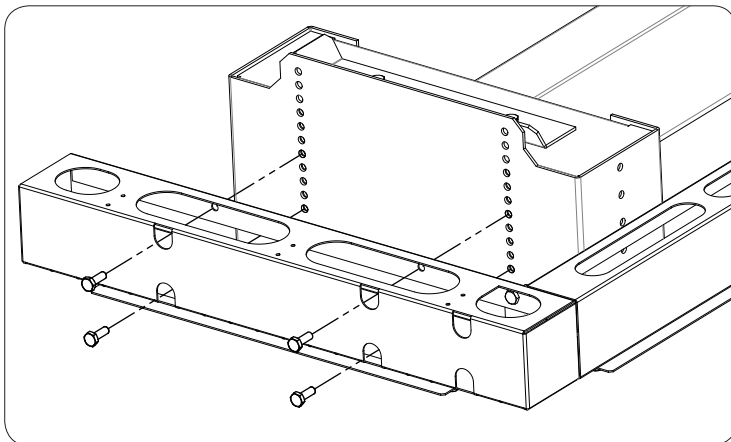


9. Attaching the Framing Beams to the Foot Stand Assembly will determine the air inlet of the unit (see fireplace instructions for more details). Fastener holes are spaced incrementally by 0.5 in. to provide a air inlet gap height ranging from 1.5 to 4.5 in.

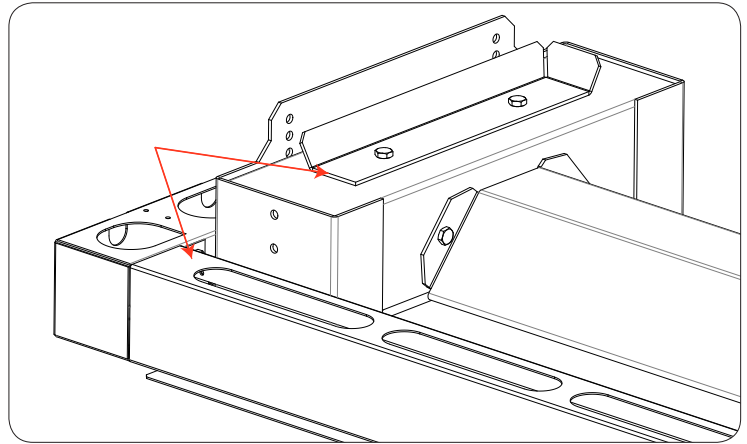


10. Determine the minimum height of the air inlet gap for your unit/installation from the table below. Attach the Framing Beams to the Foot Stand Assembly accordingly.

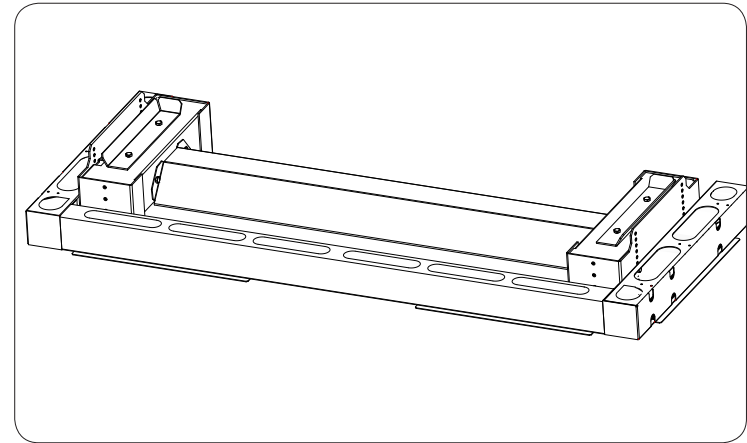
Minimum Air Inlet Gap Height [Inches]				
	3 Side	Corner (Front and 1 side)	Front Only	Dual Side
U30	1.5"	2"	3"	2.5"
U50	1.5"	2"	3"	3.5"
U70	1.5"	2"	2.5"	4.5"



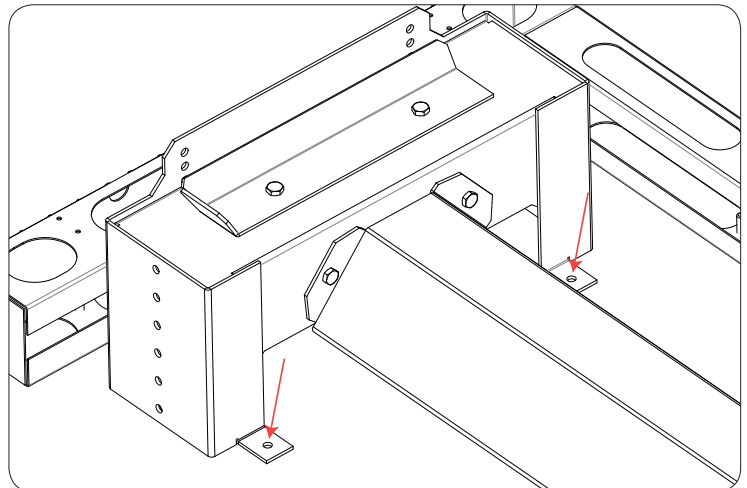
11. When attaching the Framing Beams to the Foot Stand Assembly, the Front Framing Beam should be on the same side as the open edge of the Guide Flange.



The Assembled Framing base should look similar to the figure below. The heights of the legs and framing beams will vary depending on your installation requirements

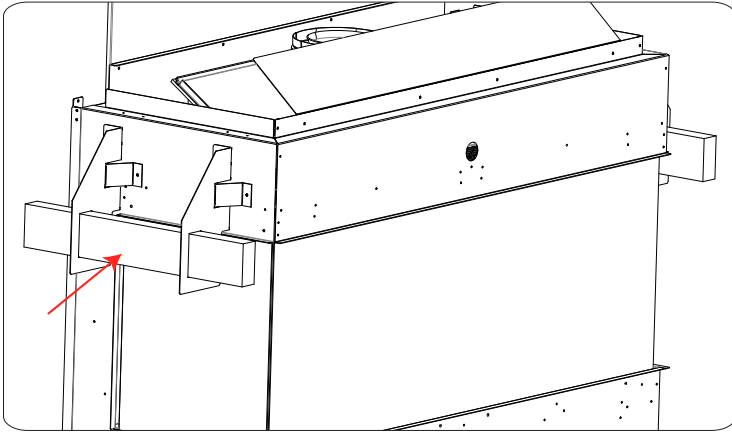


12. Place the Base Kit where the fireplace is to be installed. Use the tabs located on the Foot Stands to secure the Base Kit in place.

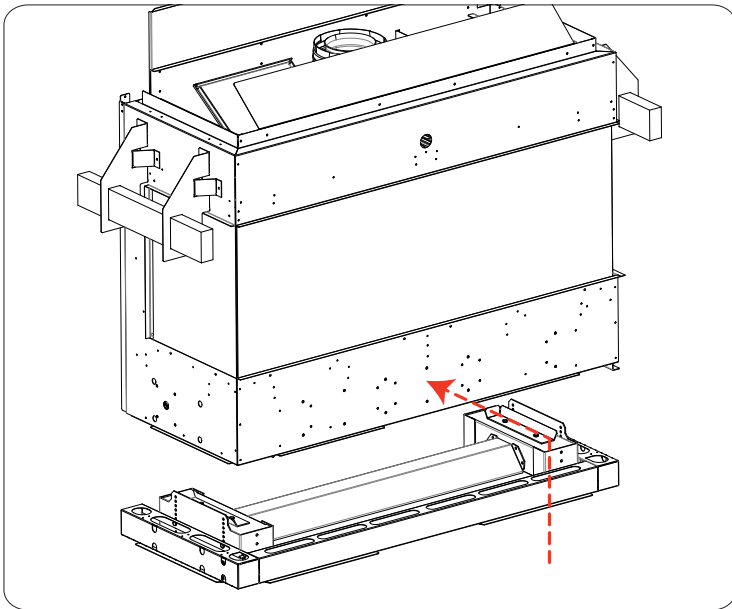


Unit Mounting

1. Following the fireplace installation manual, prepare the lift handle assembly on the unit.



2. Lift the unit up and above the base kit assembly.



3. Use the guide flanges to align the unit over top of the base kit and lower onto the foot stands. All feet of the unit should sit on the flat face of the guide flange.

