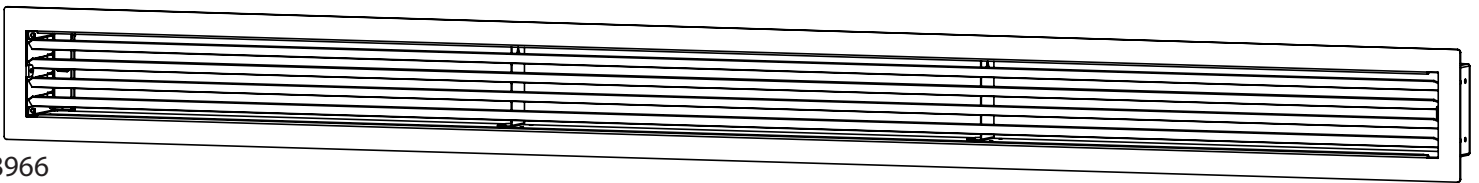


50-3965 U30 Front Vent Kit

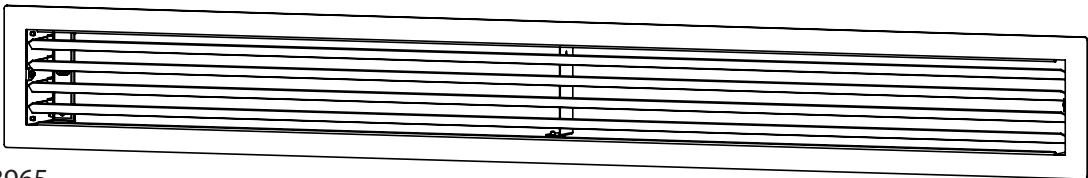
50-3966 U50 Front Vent Kit

50-3967 U70 Front Vent Kit

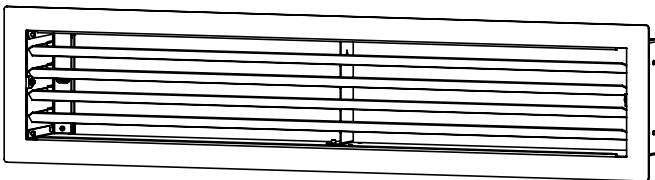
50-3967



50-3966



50-3965

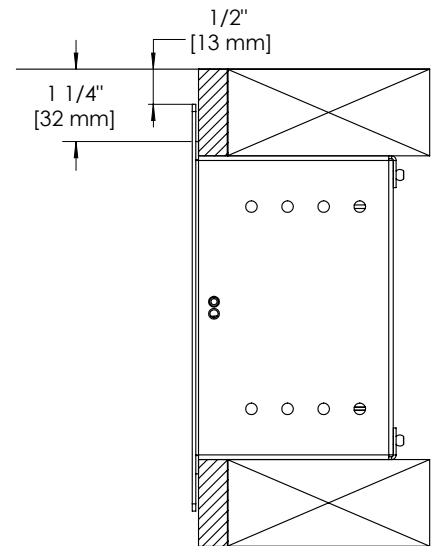


Framing

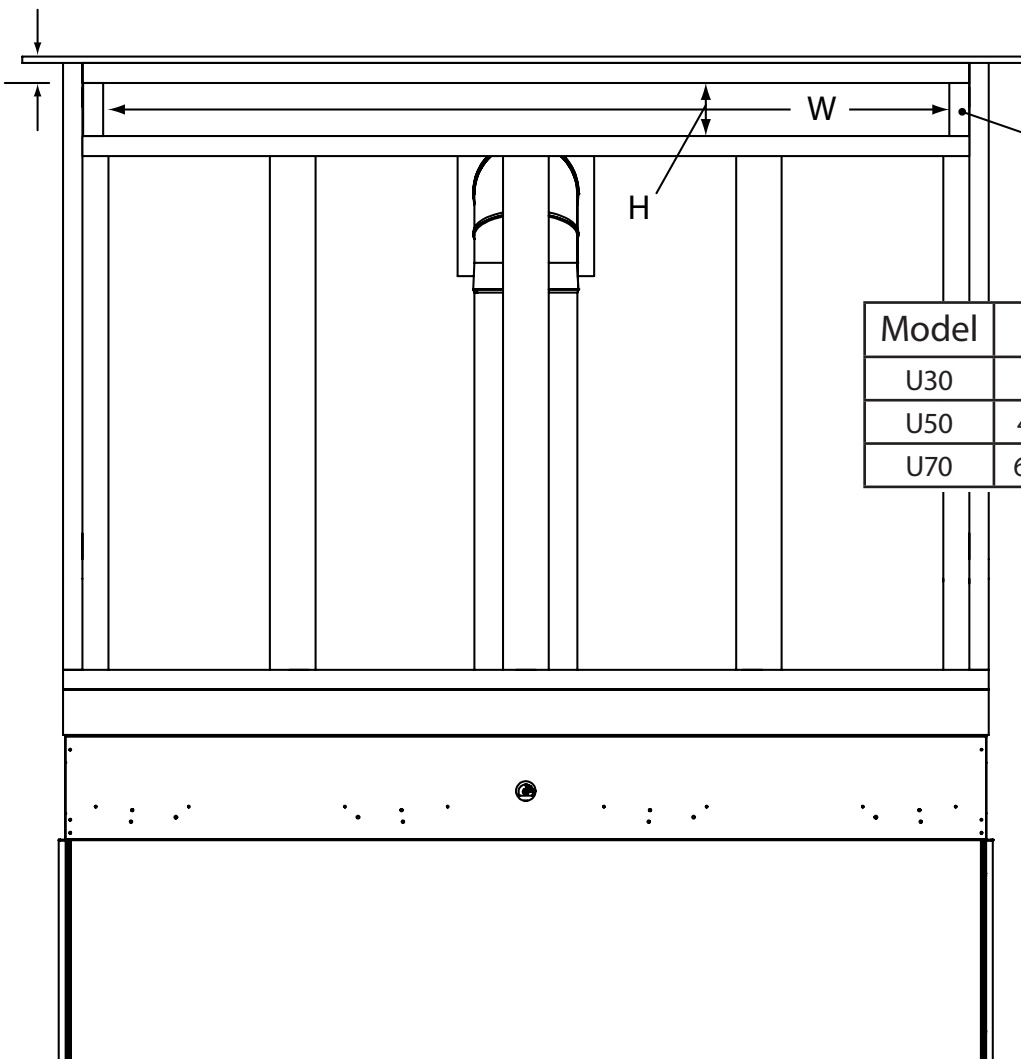
Shown in the drawing below are the required rough opening dimensions for all three sizes of Front Vent Kits when using wood 2x4 construction.

IMPORTANT INSTALLATION NOTES:

- Finishing flange clearance from ceiling surface = 1 1/4" [32 mm] at minimum installation
- Finishing bezel clearance from ceiling surface = 1/2" [13 mm] at minimum installation
- U30 fireplace models are permitted for bay or corner installations only. Single sided installations are not permitted on U30 fireplace models.
- Minimum open area for chase intake air must still be maintained in conjunction with this kit. Refer to the fireplace's installation manual for further information.



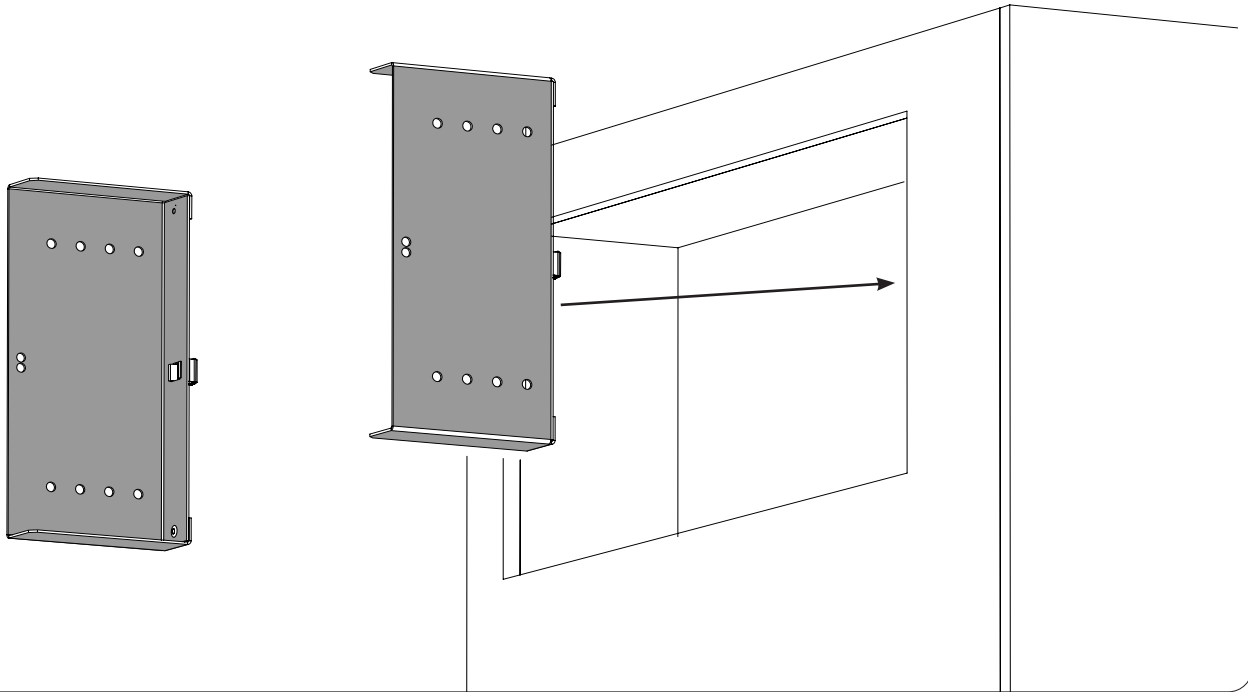
1 1/2"
[38 mm]



1 1/2" [38 mm] end blocks for U70 only

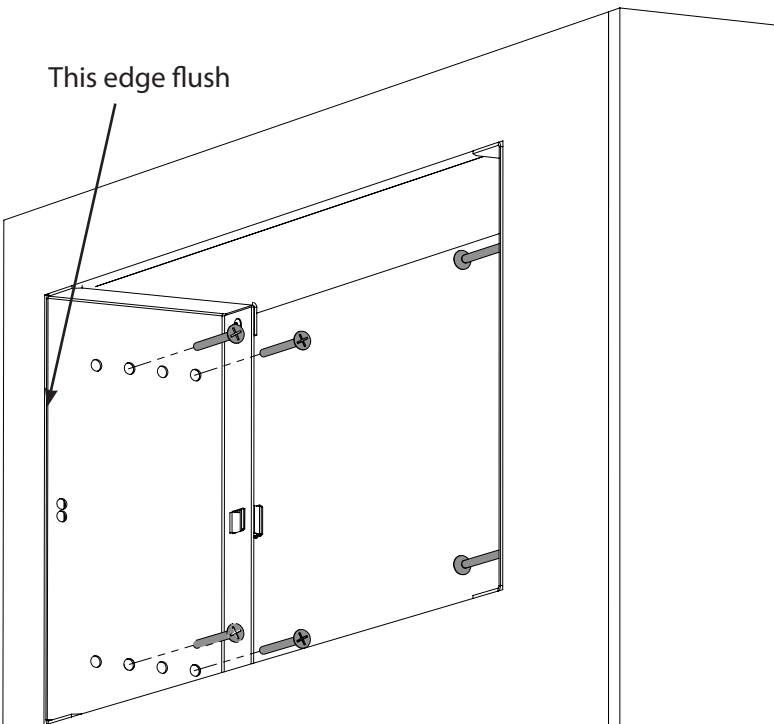
Model	Width (W)	Height (H)
U30	27 3/4" [705 mm]	5" [127 mm]
U50	47 3/4" [1213 mm]	4 1/2" [114 mm]
U70	64 3/4" [1644 mm]	4" [102 mm]

Insert Mount Brackets into the rough opening



Fasten Mount Brackets

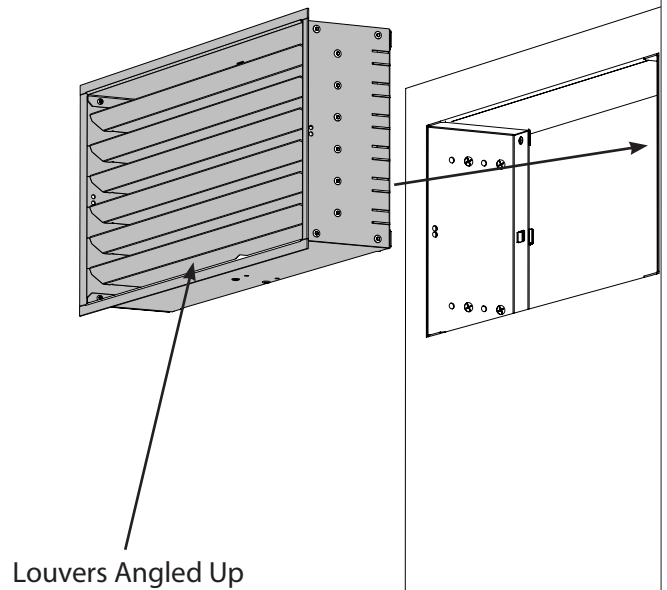
This edge flush



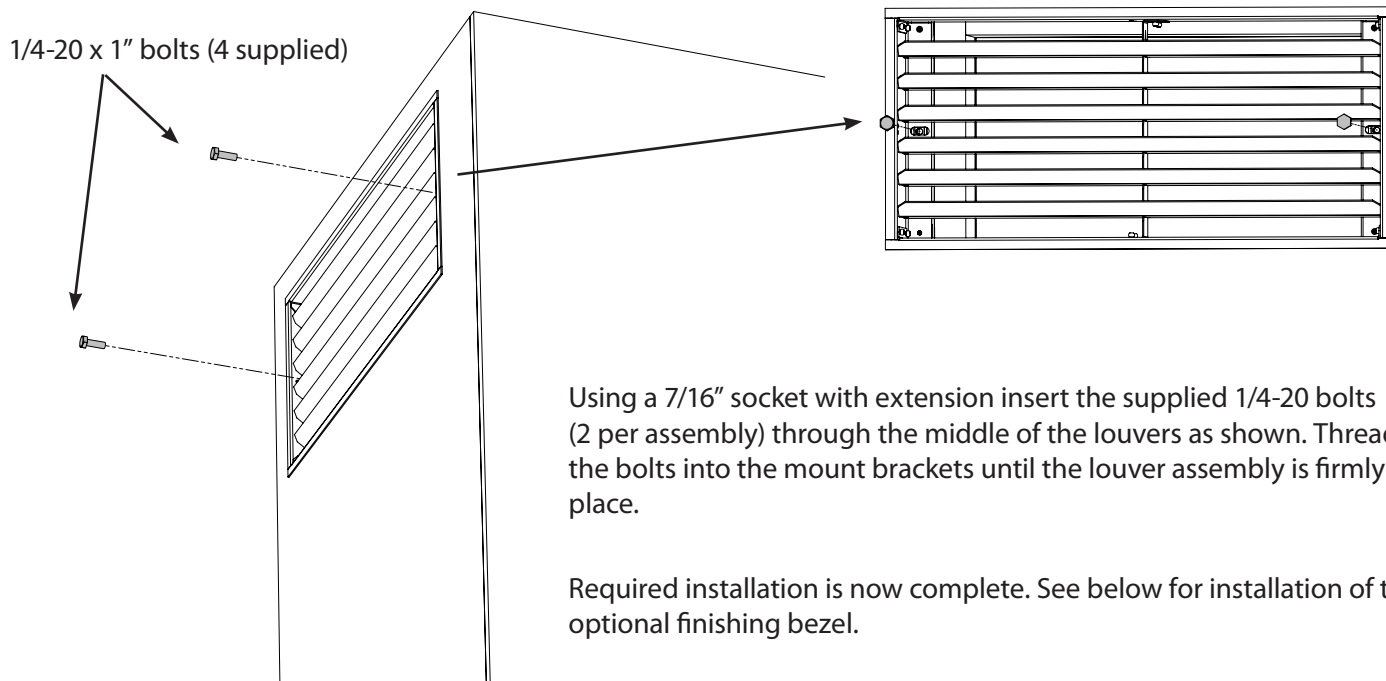
Position the mount brackets so that front edge is flush with the outer most surface of the wall finishing material. Fasten the brackets the framing with pan head wood screws.

Insert Louver Assembly

Insert the Louver Assembly and push it in until the front flanges contact the finishing material.



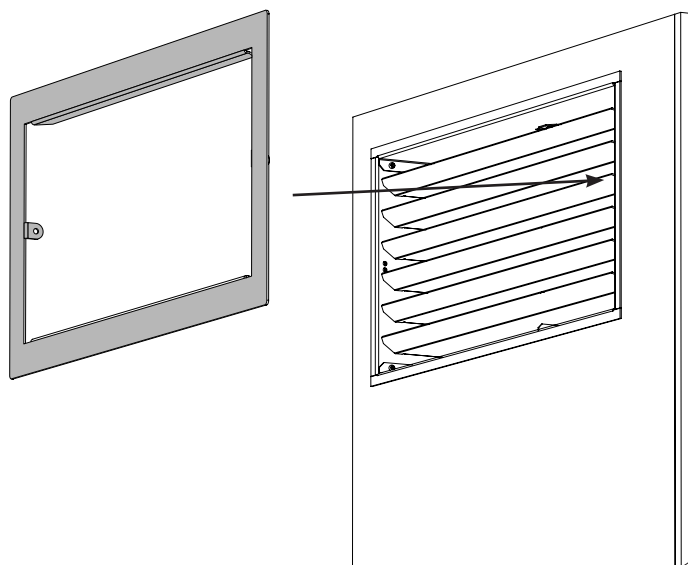
Fasten Louver Assembly in Place



Finishing Bezel Installation (Optional)

Insert the Finishing Bezel into the Louver Assembly until it contacts the front flanges.

Note - The finishing bezel may be painted to match the colour of the wall.



Fasten the bezel in place using a Torx T20 driver and the supplied 1/4" long black screws.

