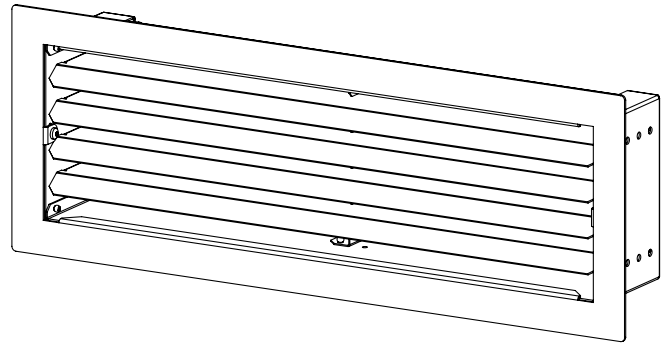
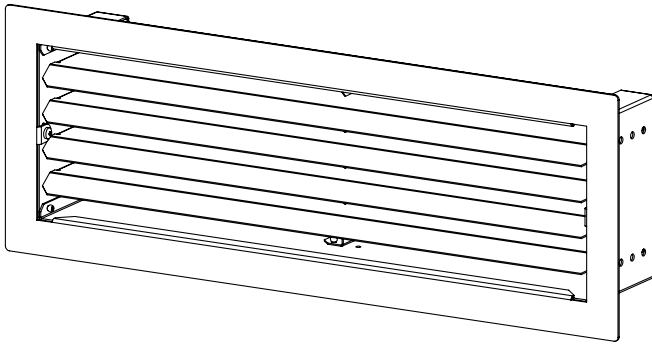


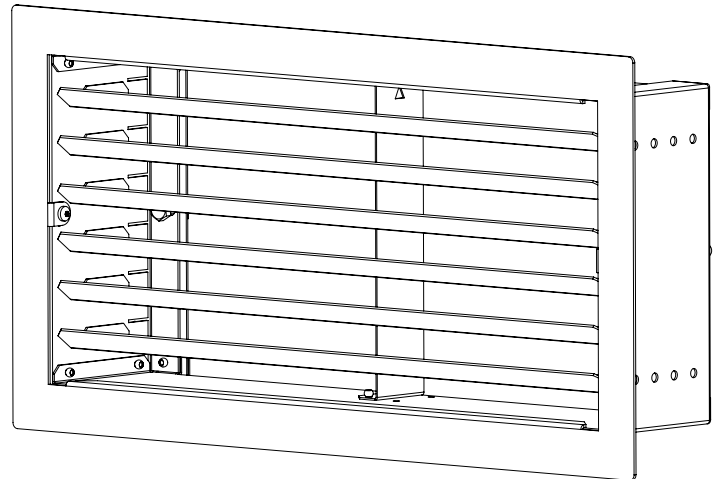
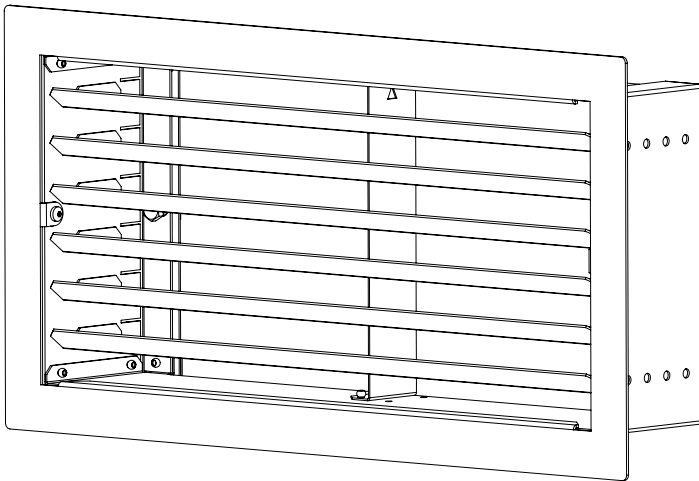
50-3948 Floor Vent Kit

50-3950 Side Vent Kit

50-3948

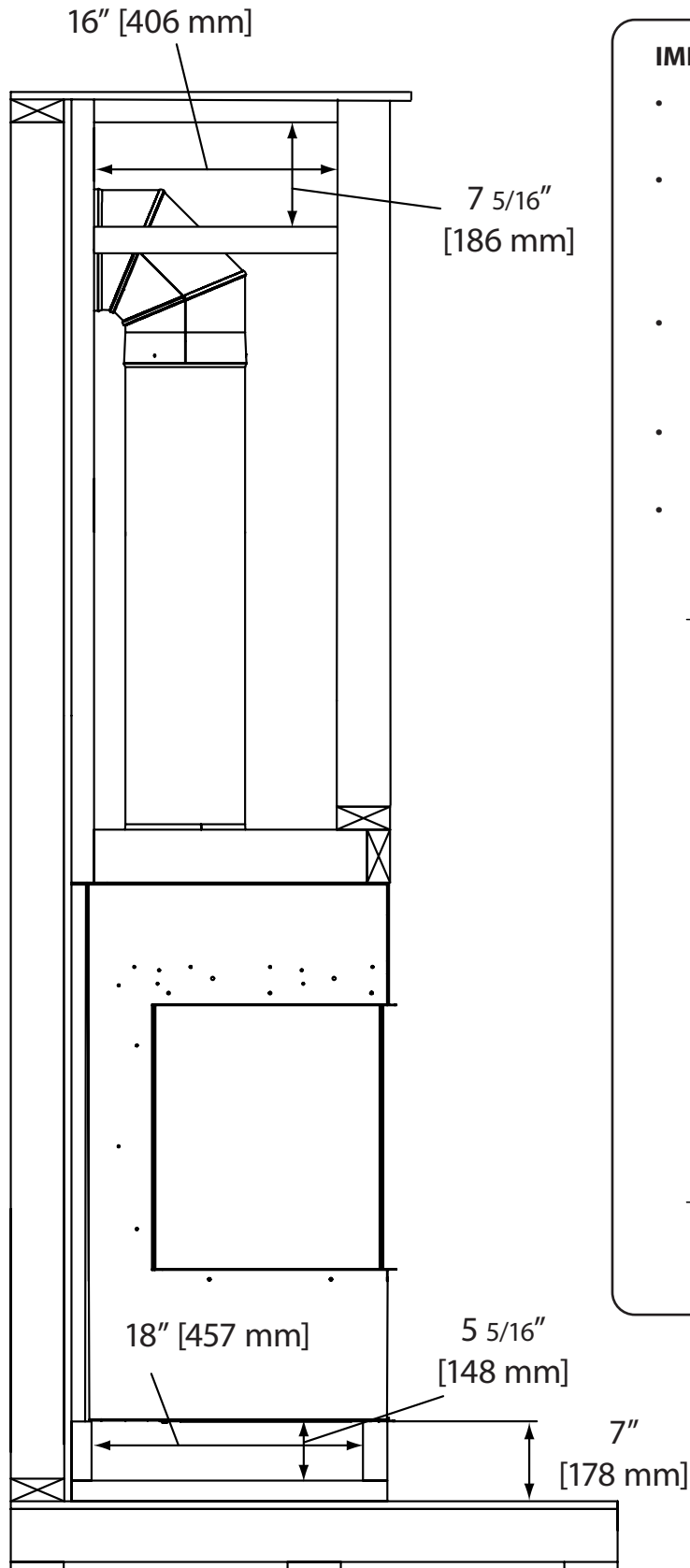


50-3950



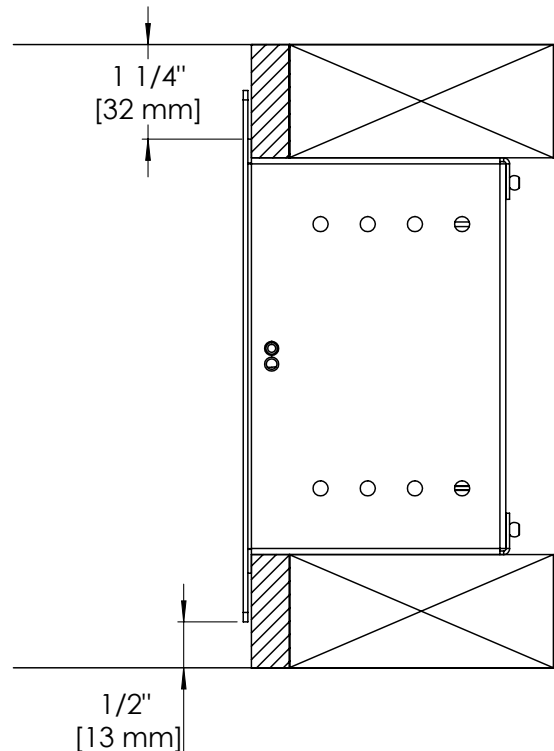
Framing

Shown in the drawing below are the required rough opening dimensions for both the Floor Vent and Side Vent kits when using wood 2x4 construction.

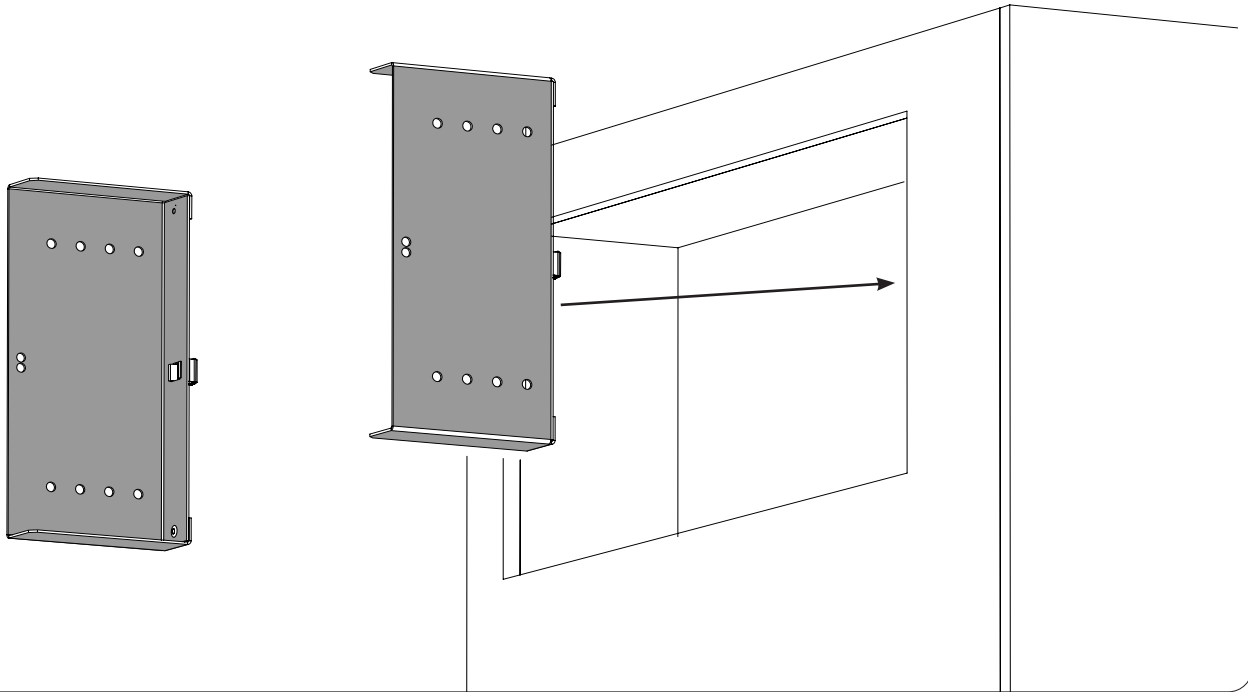


IMPORTANT INSTALLATION NOTES:

- The Floor Vent Kit increases overall chase height by 5 1/2" [148 mm].
- For Floor Vent installations fireplace must be raised, at minimum, an additional 5 1/2" [148 mm] for a total height of 7" [178 mm] from the floor to the cabinet bottom.
- Fireplace may be raised via a framed pedestal or a combination of blocks and leg height adjustment (see fireplace installation manual).
- Finishing flange clearance from floor or ceiling surface = 1 1/4" [32 mm] at minimum installation
- Finishing bezel clearance from floor or ceiling surface = 1/2" [13 mm] at minimum installation

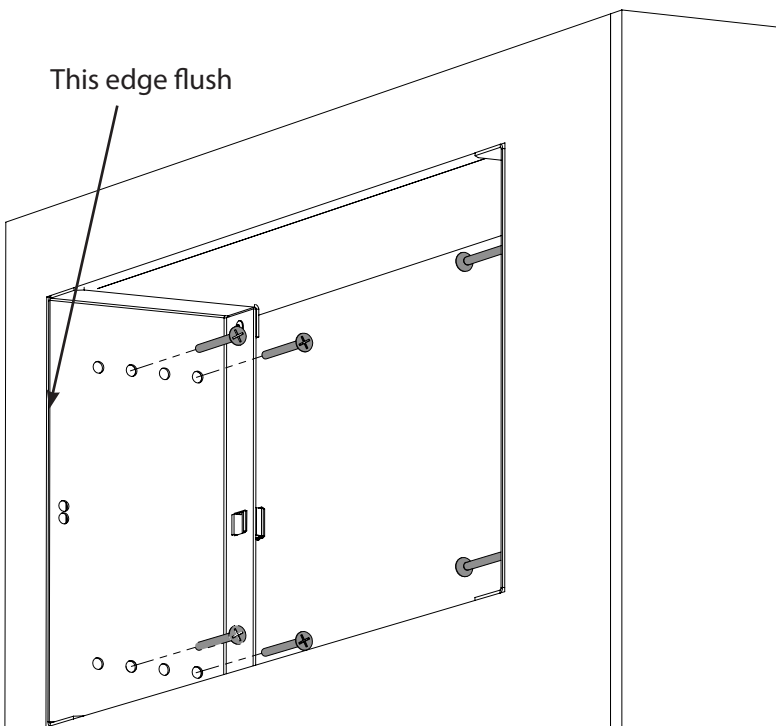


Insert Mount Brackets into the rough opening



Fasten Mount Brackets

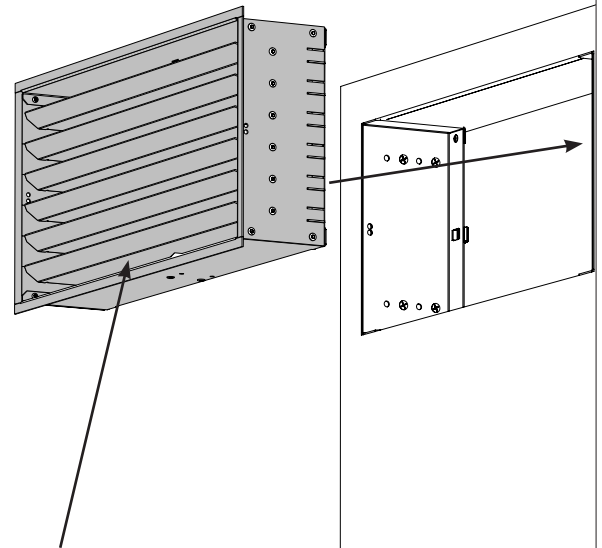
This edge flush



Position the mount brackets so that front edge is flush with the outer most surface of the wall finishing material. Fasten the brackets the framing with pan head wood screws.

Insert Louver Assembly

Insert the Louver Assembly and push it in until the front flanges contact the finishing material.

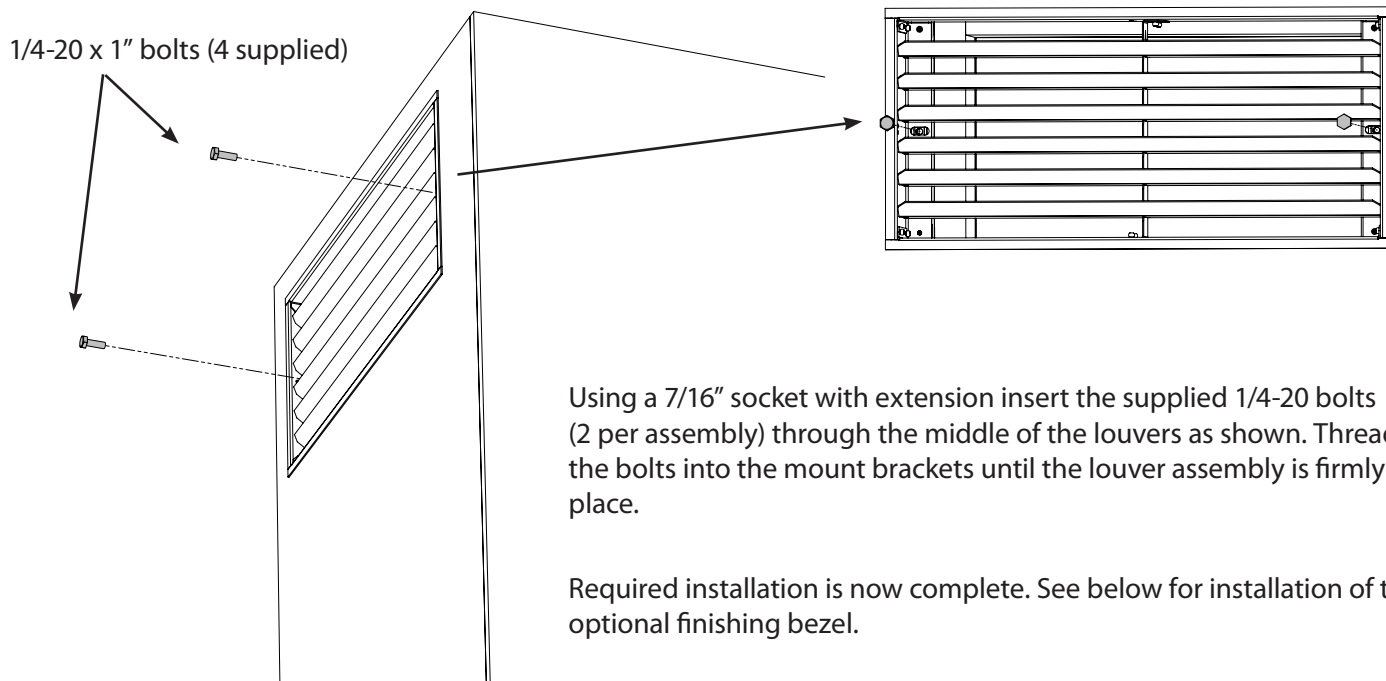


Louver Orientation Note:

50-3948 Floor Vents = Louvers Down

50-3950 Side Vents = Louvers Up (shown)

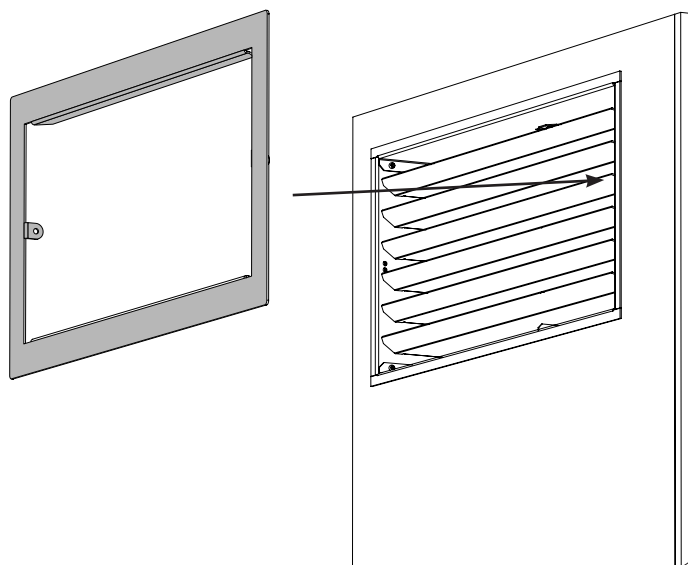
Fasten Louver Assembly in Place



Finishing Bezel Installation (Optional)

Insert the Finishing Bezel into the Louver Assembly until it contacts the front flanges.

Note - The finishing bezel may be painted to match the colour of the wall.



Fasten the bezel in place using a Torx T20 driver and the supplied 1/4" long black screws.

