



LYNDALE SWIVEL ROCKER

Assembly Instructions For: LSR-CA & LSR-CS



IMPORTANT ASSEMBLY INSTRUCTIONS

SAVE THESE INSTRUCTIONS

When using the furnishing, basic precautions should always be followed, including the following:

- Read all instructions before assembling or using the *Lyndale Swivel Rocker*.
- Use the furnishing only for its intended use as described in these instructions.

INCLUDED PARTS

F - Bolt 5/16 * 1.575" (8X)



J - Nut (8X)



H - Flat Washer (16X)



G - Lock Washer (8X)



I - Metal Plate (8X)



K - Bolt Cover (8X)



L - Nut Cover (8X)



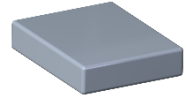
A - Chair Seat (2X)



B - Chair Base (2X)



M - Support Bar (2X)



C - Seat Cushion (2x)

- LSR-CS-RC
- LSR-CA-RC



D - Back Cushion (2x)

- LSR-CS-RC
- LSR-CA-RC

REQUIRED TOOLS

- Utility Knife

To cut and remove packaging

- Wrench

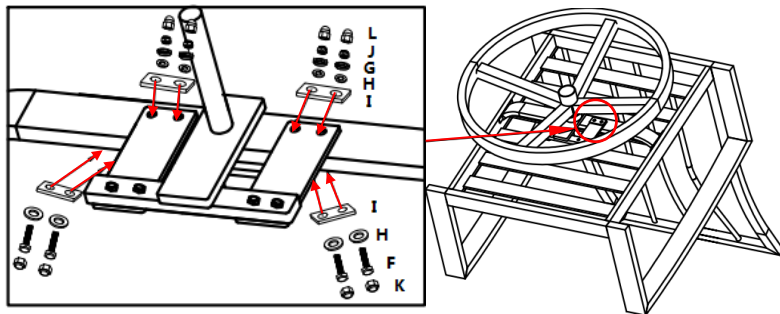
For tightening components on chair

ASSEMBLY INSTRUCTIONS

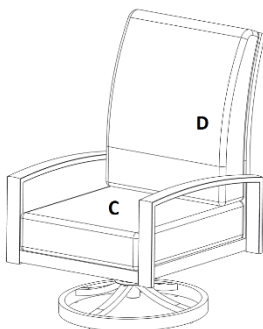
Check for damage. Do not use damaged components.
Warning: Improper assembly may result in serious personal injury.

1. Remove all protective material carefully. Avoid cutting the surface of the furniture while removing the packaging material.
2. Place the chair seat (**A**) upside down on a non-abrasive flat surface.
3. Align the holes on the support bar (**M**) on the underside of the chair seat with the holes on the spring plates attached to the t-rocker. Make sure the arrow labels on the rocker mechanism and chair support bar are facing the same direction—towards the front of the chair.

- Insert bolts (F) through flat washer (H), the metal plates (I), support bar, spring plate and the metal plates (I) as showed in the diagram. Secure bolts with flat washers (H), lock washers (G), and nuts (J). The support bar and spring plate should be sandwiched in between the metal plates (I).



- Once all the nuts and bolts are in place, securely tighten all the bolts (F) and nuts (J), including the ones at the front part on the rocker. Cover all nuts (J) and bolts (F) with nut cover (L) and bolt cover (K).
- Put the seat cushion (C) and back cushion (D) (As shown below).



- Secure back cushion (D) to chair frame (A) with the use of Velcro
- Test the swivel rocker gently. If the rocker does not rock properly, double check the assembly procedure.

Your Lyndale Chairs include either Sunbrella™ Cast Ash or Cast Slate fabric. There is typically a break in period to achieve maximum comfort. If you wish to accelerate that period, you can place the cushions on a clean, dry surface and walk on them.

For general cleaning, you can brush off any dirt or debris and clean with a mild solution of water and soap. Rinse thoroughly to remove all soap residue and air dry. For more detailed care, cleaning and stain removal, please visit www.sunbrella.com.

Optional lumbar pillows available: Part Number – LSR-CPL

14400 Southcross Drive West • Suite 100 • Burnsville, MN 55306
Toll Free: 1-866-303-4028 • Sales@OutdoorRooms.com

