



DIVINE
OUTDOOR  SERIES

SPECIFICATIONS
AND FEATURES

H34 H38 H42
TRADITIONAL

HL38
CONTEMPORARY

Standard

Traditional burner and logset

Safety screen

Options

Various traditional liners

Mirror back panel

Drain pan

Wrought iron grate

Standard

Contemporary burner with ice fireglass

Safety screen

Options

Glass media

Drain pan

H34VO
H38VO
HL38VO
H42VO

SINGLE SIDED
VENTLESS
OUTDOOR

QUICK DIMENSIONS

	H34VO		H38VO		H42VO	
	UNIT	FRAM.	UNIT	FRAM.	UNIT	FRAM.
F.WIDTH	33 ³ / ₈	33 ³ / ₈	37 ³ / ₄	37 ³ / ₄	42	42
B.WIDTH	24	33 ³ / ₈	27	37 ³ / ₄	29 ¹ / ₂	42
HEIGHT	33 ¹ / ₄	38 ³ / ₄	37	42 ¹ / ₂	41	46 ¹ / ₂
DEPTH	19 ¹ / ₄	20 ¹ / ₄	20 ³ / ₈	21 ³ / ₈	21 ³ / ₈	22 ³ / ₈
VIEWING	18 ¹ / ₄ × 27 ¹ / ₄		21 ⁵ / ₈ × 32 ¹ / ₈		25 ¹ / ₂ × 36 ¹ / ₂	

BTU LISTING

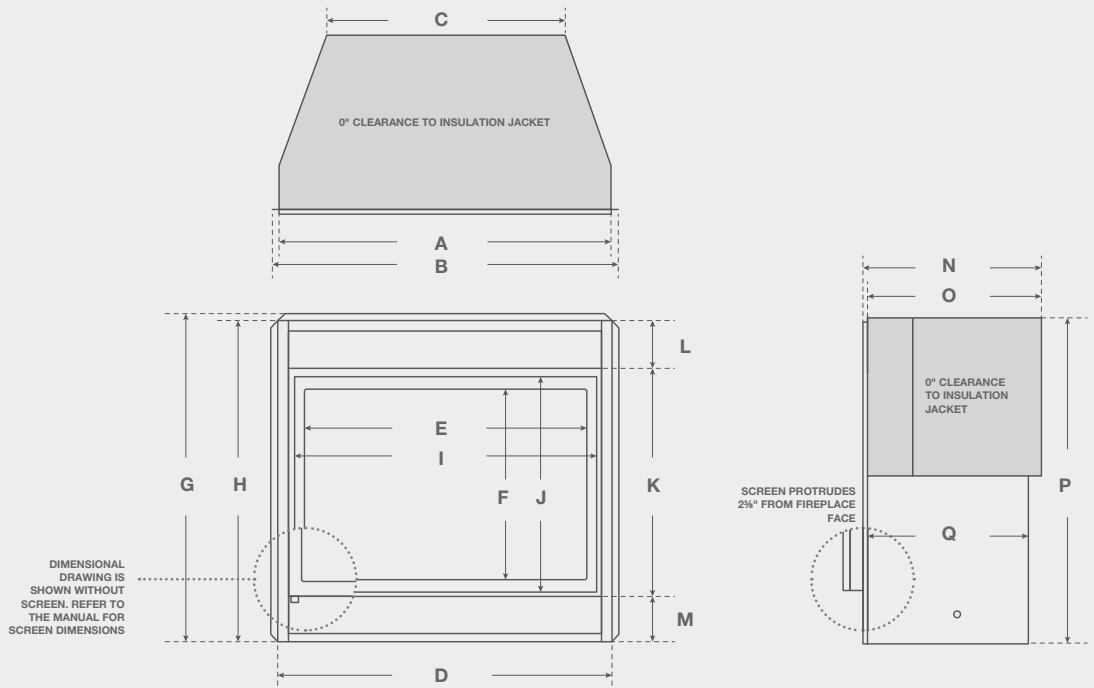
H34VO* / 26,000
HL38VO* / 34,000
H38VO* / 34,000
H42VO* / 40,000

H34VO*E / 26,000
HL38VO*E / 34,000
H38VO*E / 34,000
H42VO*E / 40,000





DIVINE OUTDOOR DIMENSIONS



	A	B	C	D	E	F	G	H	I	J	K	L	M	N	O	P	Q
H34VO	33 ³ / ₈	35 ³ / ₈	24	33 ³ / ₈	27 ¹ / ₄	18 ¹ / ₄	34 ¹ / ₄	33 ³ / ₄	31 ¹ / ₈	21 ¹ / ₈	23	5 ¹ / ₂	5 ¹ / ₄	19 ¹ / ₄	18 ⁵ / ₈	33 ³ / ₄	17
H38VO	37 ³ / ₄	39 ¹ / ₄	27	37 ³ / ₄	32 ¹ / ₈	21 ¹ / ₈	37 ¹ / ₄	36 ¹ / ₂	34 ³ / ₄	24 ¹ / ₂	25 ³ / ₄	5 ¹ / ₂	5 ¹ / ₄	20 ³ / ₈	19 ³ / ₄	37	18 ¹ / ₈
H42VO	42	43 ¹ / ₂	29 ¹ / ₂	42	36 ¹ / ₂	25 ¹ / ₂	41 ¹ / ₄	40 ¹ / ₂	39	28 ¹ / ₂	28 ³ / ₈	6 ³ / ₈	5 ¹ / ₄	21 ³ / ₈	20 ³ / ₄	41	19 ⁵ / ₈

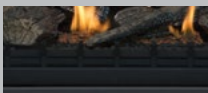
MONTIGO / DIVINE / H34VON / H38VON / SAGE FIREBEADS / SHOWN WITHOUT SCREEN



MONTIGO / DIVINE / H34VON / SHOWN WITHOUT SCREEN



OPTIONS & FEATURES



IRON GRATE
HWIG**



DRAIN PAN
ODSSP**

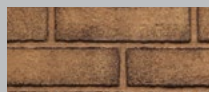
LINERS



HERRING BONE
HBK**



COLONIAL
HBK**



HERITAGE
HBK**



MIRROR
RPH**VOR

Unit Specifications

Icon Legend

AVAILABLE +

NOT AVAILABLE -

DEDICATED ◊

STANDARD ○

	BTU Natural Gas	BTU Liquid Propane	Clearance Top	Clearance Sides	Clearance Back	Clearance Floor	Standard media	Front glass type	Powervent	Remote control	Fans	Uplighting	Downlighting
H34VO**	26,000	26,000	9	1†	1†	0	Traditional	Tempered	-	-	-	-	-
H38VO**	34,000	34,000	9	1†	1†	0	Traditional	Tempered	-	-	-	-	-
HL38VO**	34,000	34,000	9	1†	1†	0	HW1157	Tempered	-	-	-	-	-
H38SVO**	34,000	34,000	36	12	N/A	0	Traditional	Tempered	-	-	-	-	-
HL38SVO**	34,000	34,000	36	12	N/A	0	HW1157	Tempered	-	-	-	-	-
H42VO**	40,000	40,000	9	1†	1†	0	Traditional	Tempered	-	-	-	-	-
PL42VO*	28,000	28,000	0	1	0	0	HW1106	Tempered	-	-	◊	+	-
PL60VO*	47,000	47,000	0	1	0	0	HW1106	Tempered	-	-	◊	+	-

†Clearance to insulation jacket is 0"

DIVINE OUTDOOR FRAMING

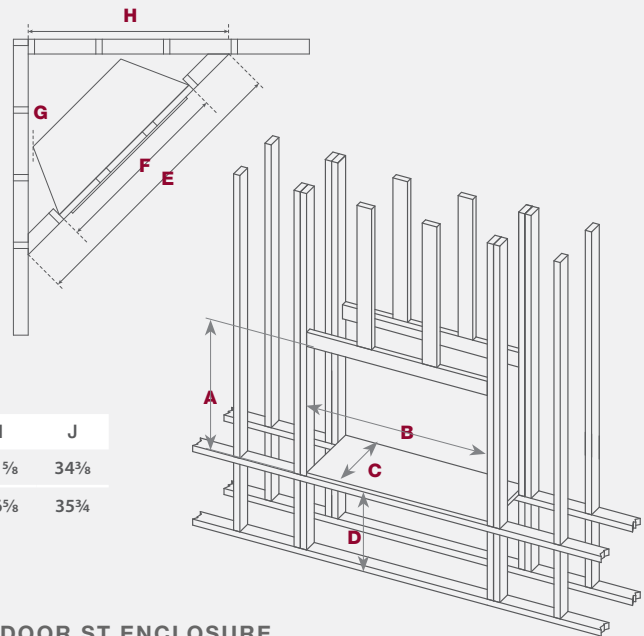
	A	B	C	D	E	F	G	H
H34VO	38¾	35¾	20¼†	12*	61⅞	35¾	0	43⅞
H38VO	42½	39¼	21¾†	12*	65⅞	39¼	0	49⅞
H42VO	46½	43½	22¾†	12*	72¼	43½	0	51⅞

DIVINE OUTDOOR ST FRAMING

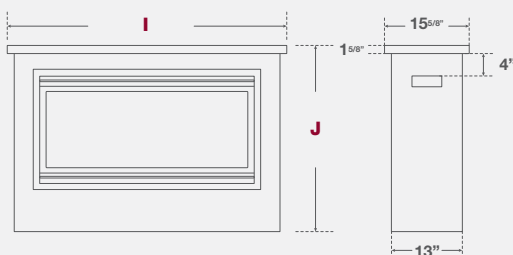
	A	B	C	D
H38SVO	38	41	23⅞	12*

MAHANA FRAMING AND ENCLOSURE

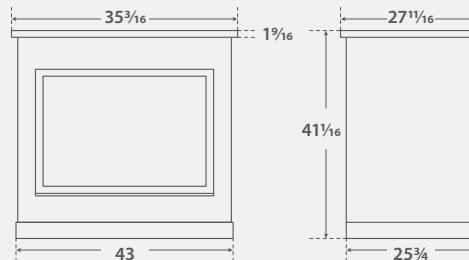
	A	B	C	D	E	F	G	H	I	J
PL42VO	27½	42	14¾	12*	62⅞	42⅞	0	48⅞	51⅞	34¾
PL60VO	27½	66	14¾	12*	87	67	0	65½	76%	35¾



MAHANA ENCLOSURE



DIVINE OUTDOOR ST ENCLOSURE



See instruction manual for detailed instructions

Be sure to plan a drain system for both in the wall and standalone installations.

*Measurement above grade for US installations

†Dimension is to back wall or back studs