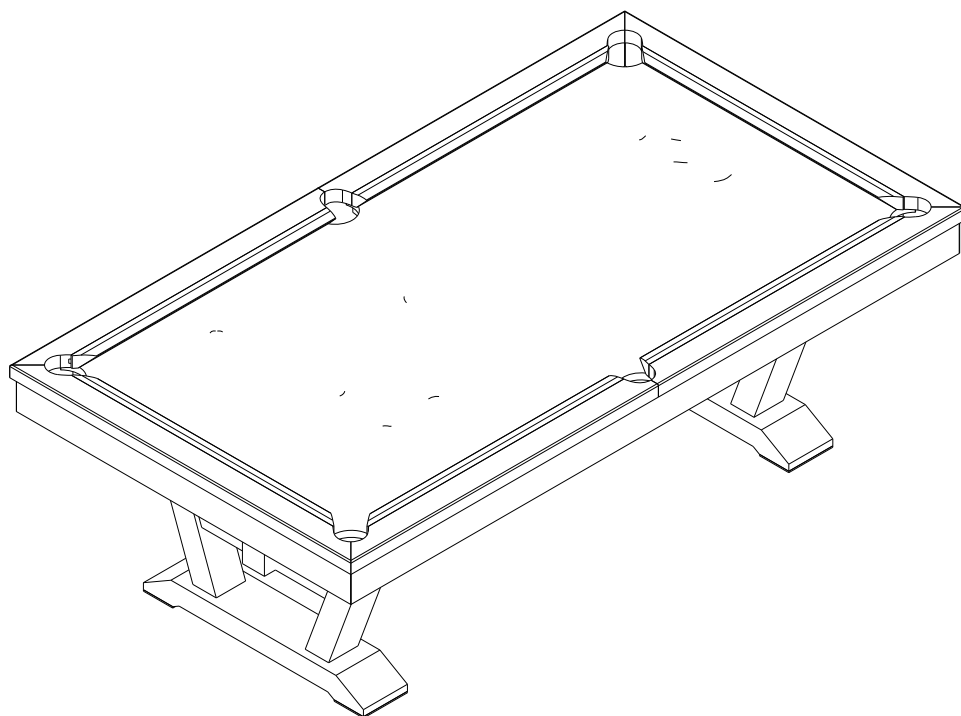





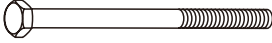

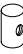




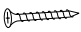






8' SCOTTSDALE







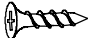


SCOTTSDALE ASSEMBLY INSTRUCTIONS


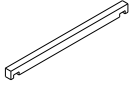
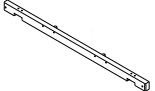
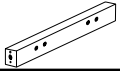

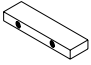
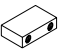

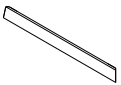



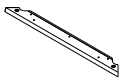



REPLACEMENT PARTS LIST (HARDWARE)

PACKAGE	ITEM#	SAMPLE	DESCRIPTION	QTY.
LEG	H1		HEX HEAD CROSS BOLT 3/8" X 4" (M10X100mm)	4
	H2		FLAT WASHER 3/8" I.D.	4
	H3		HEX HEAD CROSS BOLT 3/8" X 4-5/16" (M10X110mm)	8
	H4		FLAT WASHER 3/8" I.D.	16
	H5		HEX NUT 3/8" I.D.	8
CABINET/BEAM/BLOCK	H6		HEX BOLT 3/8" X 5-1/8" (M10X130mm)	4
	H7		FLAT WASHER 3/8" I.D.	4
	H8		NUT 3/8" I.D.	4
	H9		HEX HEAD CROSS BOLT 5/16" X 2" (M8X50mm)	4
	H10		FLAT WASHER 5/16" I.D.	4
	H11		HEX HEAD CROSS BOLT 5/16" X 3-1/8" (M8X80mm)	16
	H12		FLAT WASHER 5/16" I.D.	16
RAIL/POCKET/SLATE	H13		FLAT HEAD SCREW 1/4" X 2-3/4" (M6X70mm)	12
	H14		STUD BOLT 5/16" X 5-1/2" (M8X140mm)	2
	H15		STUD BOLT 5/16" X 3-1/2" (M8X88mm)	4
	H16		FLAT WASHER 5/16" I.D.	12
	H17		HEX NUT 5/16" I.D.	12

REPLACEMENT PARTS LIST (HARDWARE)

PACKAGE	ITEM#	SAMPLE	DESCRIPTION	QTY.
RAIL/POCKET/SLATE	H18		HEX HEAD CROSS BOLT 5/16" X 1"(M8X25mm)	16
	H19		FLAT WASHER 5/16" I.D.	16
	H20		HEX HEAD CROSS BOLT 5/16" X 1-7/16"(M8X36mm)	12
	H21		FLAT WASHER 5/16" I.D.	12
	H22		HEX HEAD CROSS BOLT 3/8" X 2-3/8"(M10X60mm)	18
	H23		DOME WASHER 3/8" I.D.	18
	H24		FLAT HEAD SCREW 5# X 1/2"(M3X12mm)	24

REPLACEMENT PARTS LIST

PACKAGE	ITEM#	SAMPLE	DESCRIPTION	QTY.
LEG	1		LEG	2
	2		LEG BEAM	1
CABINET/APRON	3		SIDE CABINET	2
	4		END CABINET	2
	5		CROSS BEAM	2
	6		LONG WOODEN BLOCK	4
	7		SHORT WOODEN BLOCK	4
	8		SIDE APRON	2
	9		END APRON	2
	10		APRON JOINT CORNER BLOCK	4
TOP RAIL	11		TOP RAIL LEFT SIDE	2
	12		TOP RAIL RIGHT SIDE	2
	13		TOP RAIL END	2
POCKET	14		SIDE POCKET	2
	15		CORNER POCKET	4
	16		SLATE (LEFT)	1

REPLACEMENT PARTS LIST

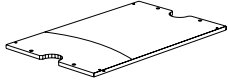
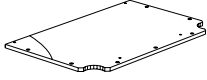


PACKAGE	ITEM#	SAMPLE	DESCRIPTION	QTY.
SLATE	17		SLATE (CENTER)	1
	18		SLATE (RIGHT)	1
	19		CLOTH	1
	20		WOOD JOINT	12

FIG.1

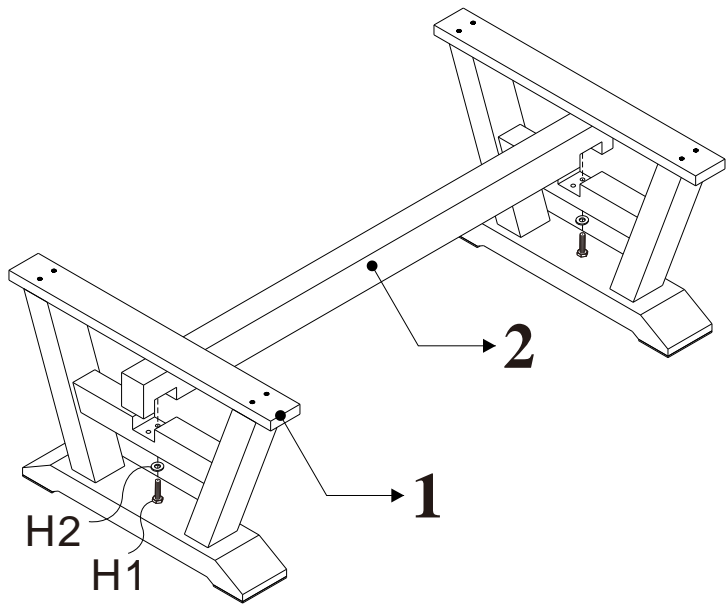


FIG.2

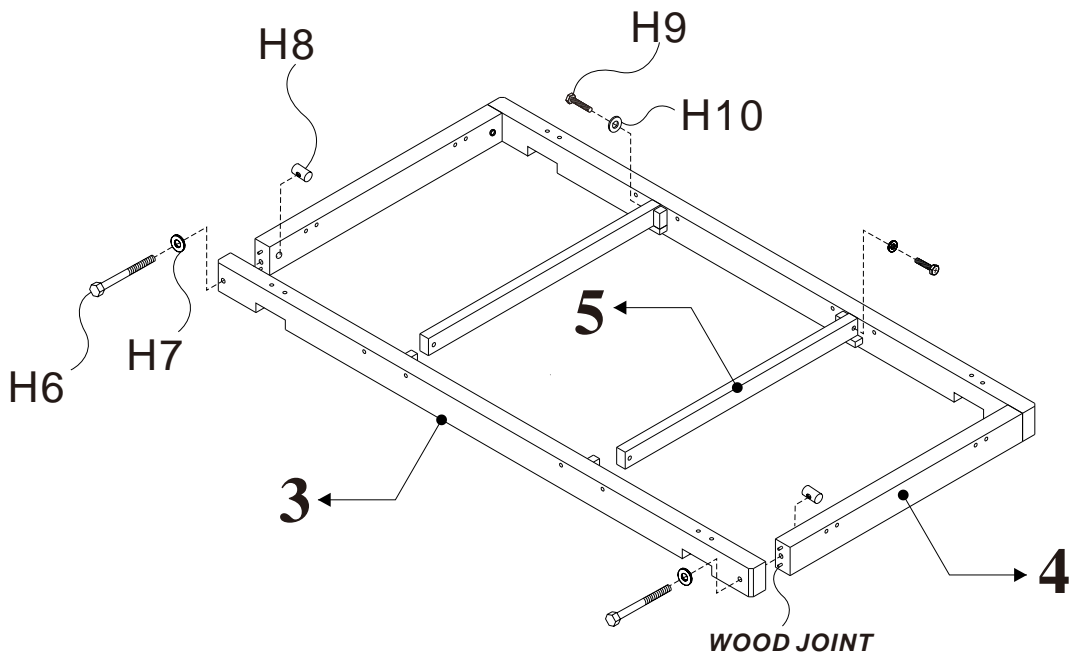


FIG.3

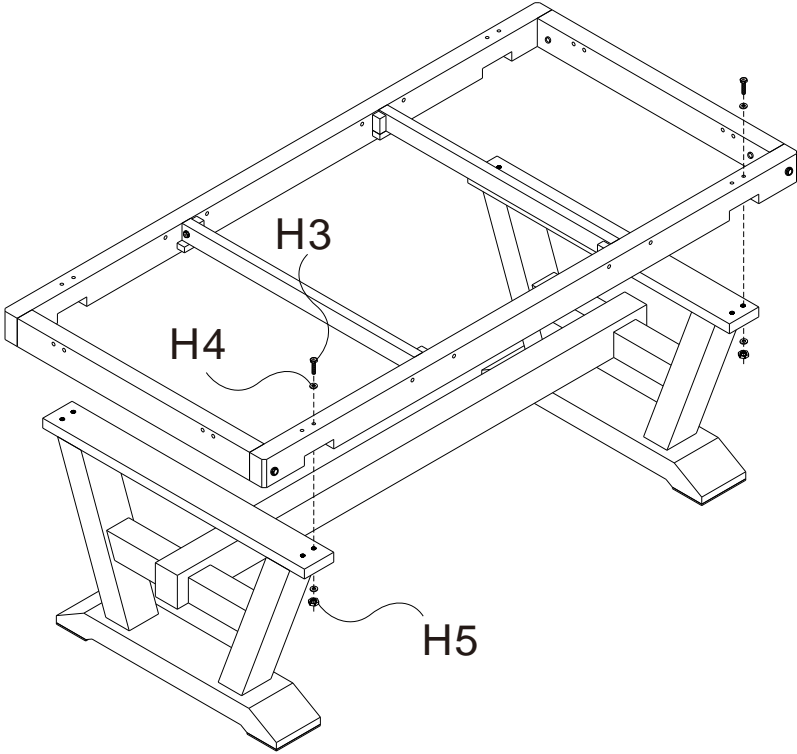


FIG.4

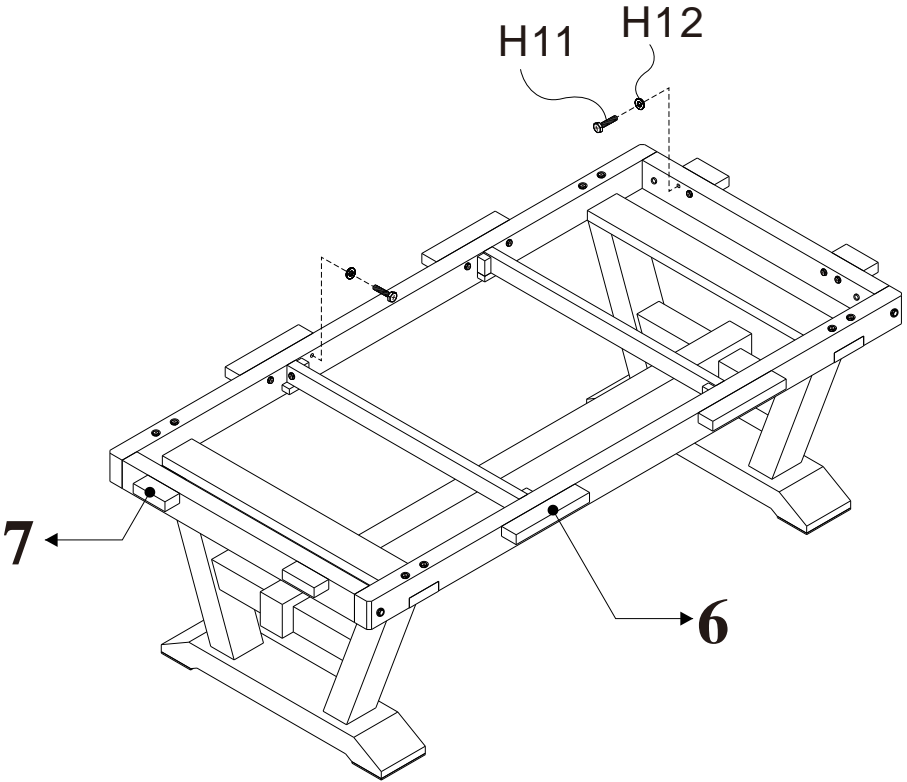


FIG.5

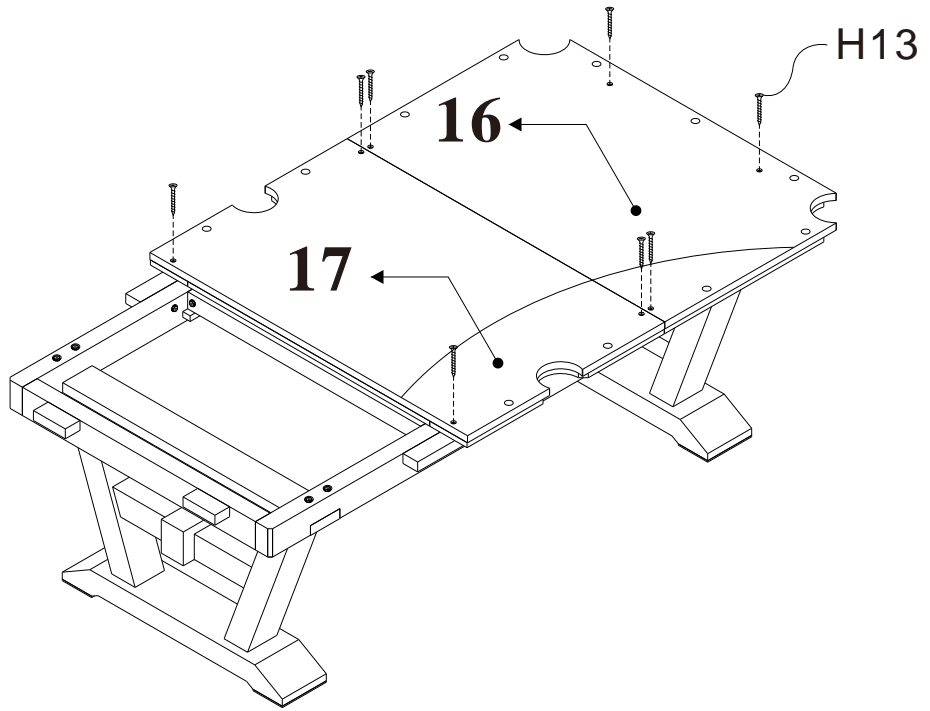


FIG.6

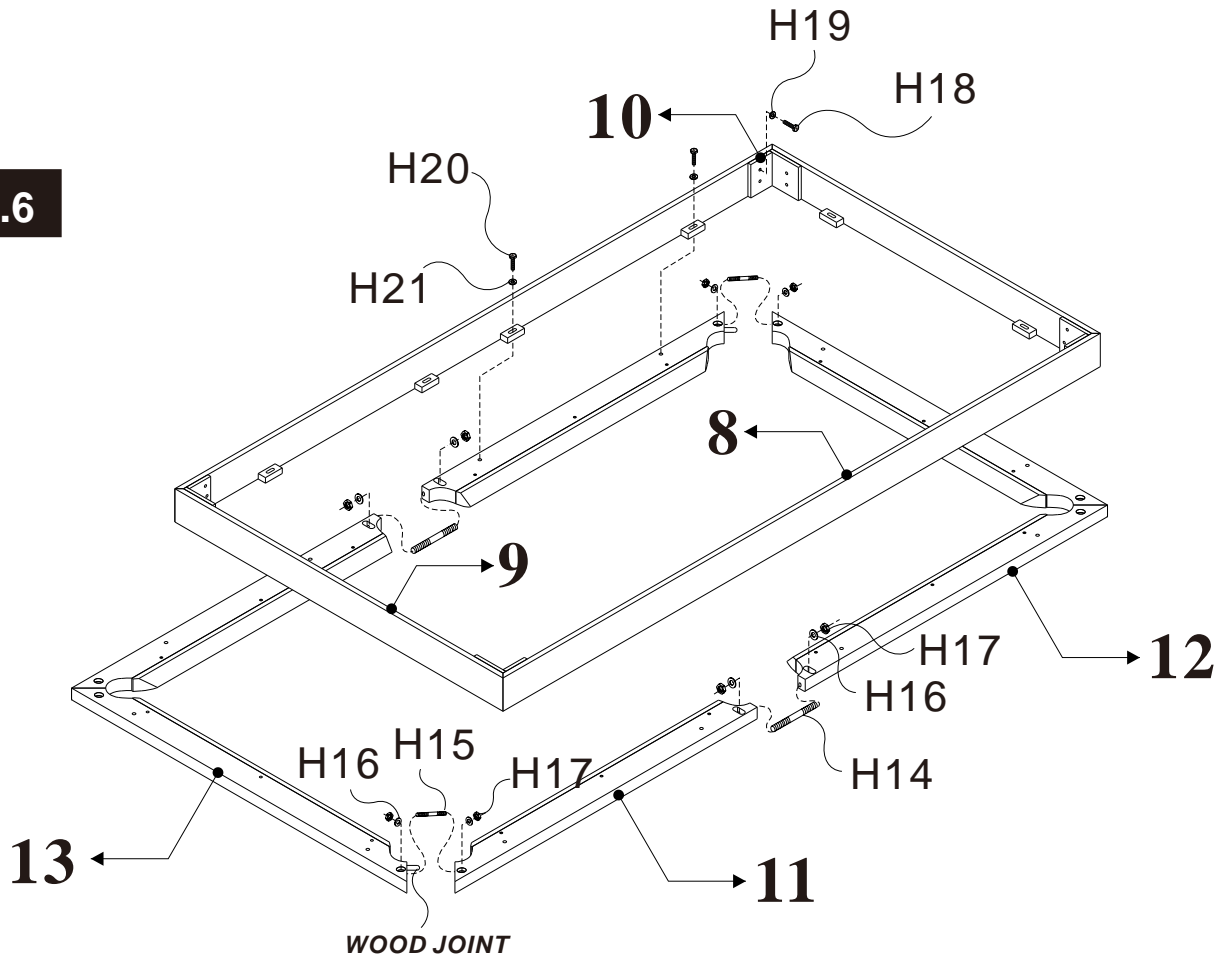
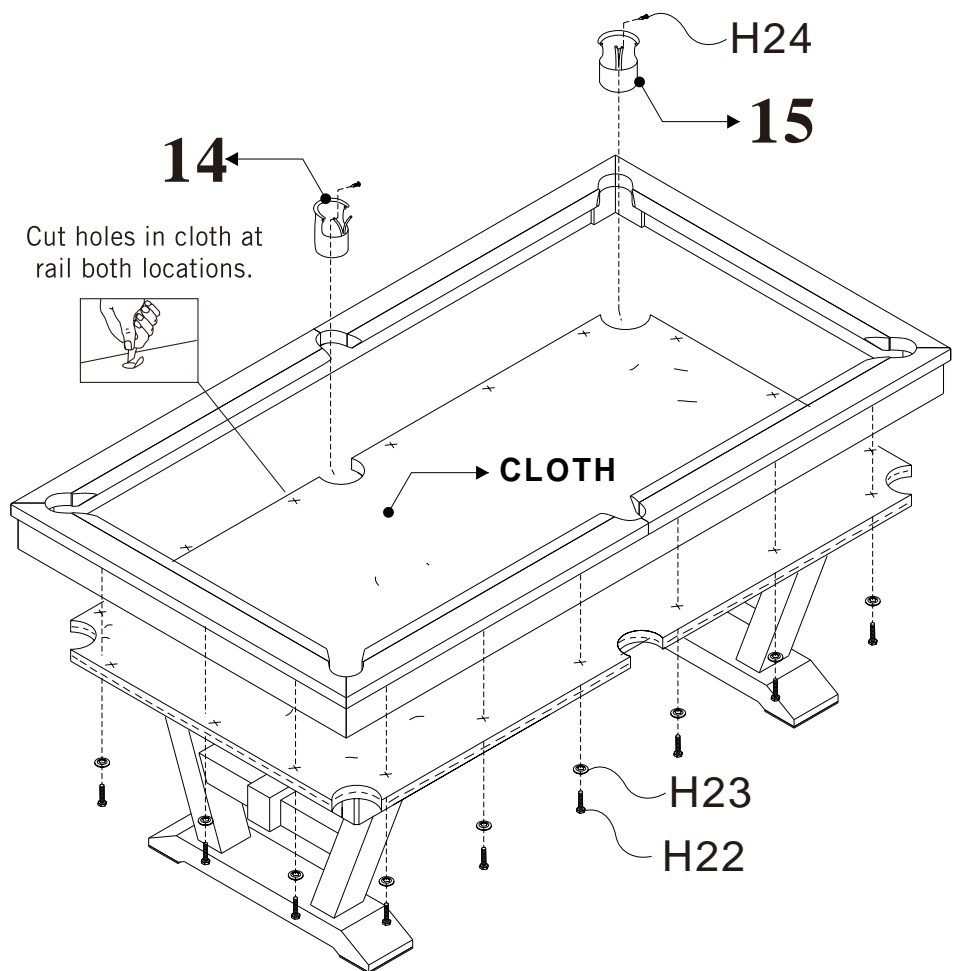


FIG.7



Finish

