

The Gas Family

# Champlain Model 8304

The Champlain will add a touch of classic style to your room.



## Features

---

### Artfully balanced fire

The Champlain gas stove has been carefully designed to present a balanced, gently flickering fire on both low and high settings.

### Convenient control

The Champlain 8304 maintains a standing pilot which will shut off after 7 days of inactivity. It can be run manually, with a standard or programmable thermostat, or with an optional remote control.

### True efficiency

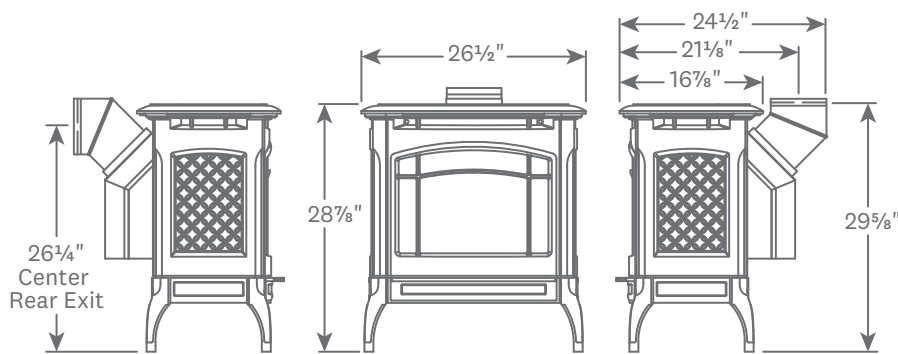
The Champlain includes a cast iron heat exchanger above the fire. Natural convective airflow moves air through the vents of the stove to warm your room.

**Gas Burning Stove**

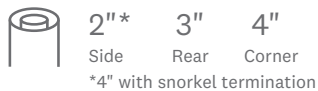
**Champlain 8304**



**Dimensions**

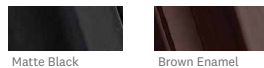


**Clearances**



Floor Protection:  
Non-combustible surface or wood floor

**Finish Options**



**Specifications**

- Heats up to.....1,800 sq ft
- Steady State Efficiency ..... 74.6%
- P.4.1.09 Efficiency ..... 67.9%
- Burn Rate Range NG.....21k-35k BTUs/hr
- Burn Rate Range LP .....21k-35k BTUs/hr
- Venting .....45°, 4" x 6-5/8" DV
- Ignition System.....SIT 820, 7 day timeout
- Burner.....Pan Burner
- Convection Blower.....Optional
- Remote Control.....Optional
- Safety Barrier Screens.....Included
- LP Conversion Kit.....Included
- Mobile Home Certified ..... Yes
- Weight .....220 lbs.

**Accessories**

- Convection Blower.....93-57020
- Remote Control Kit.....90-56914

Note: All information is for reference only.  
Refer to the owner's manual for full specification and installation details.