

Manchester TruHybrid™ Wood Stove



MANCHESTER Truhybrid™ MODEL 8362 BROWN MAJOLICA ENAMEL WITH LEFT SIDE DOOR



FINISH OPTIONS:



Matte Black



Brown Majolica Enamel



Barn Red Enamel

Manchester featured in Barn Red Enamel



MANCHESTER

Model 8362

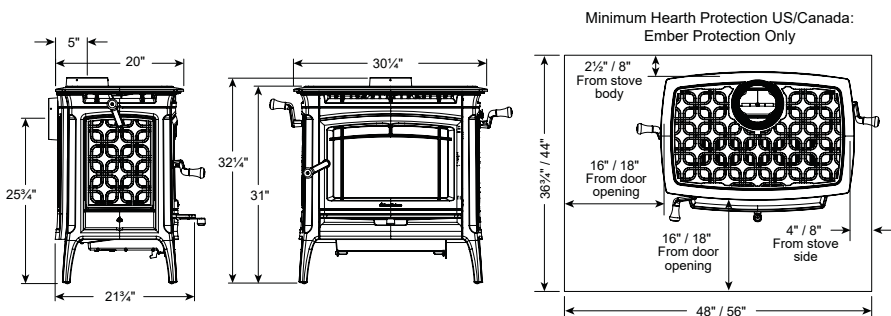
TruHybrid™

2020 READY

- **TruHybrid™ Combustion System**
Clean burning, uber-efficient, burn times up to 30 hours**
- **Single Lever Air Control**
Easy operation, consistent performance
- **Easy Catalyst Control Handle**
Open side lever for smokeless startups, close for long, efficient fires
- **Convection Air Channel, Heat Exchanger**
Pulls more heat out of the stove and into your home
- **Durable Construction**
Full cast iron construction with 1¼" soapstone lining offers lasting heat
- **Oven-Style Side Door**
Convenient fire loading, oven-style door helps keep ashes in the firebox
- **Decorative Cast Rear Heat Shield**
Finished look from any angle
- **Top Or Rear Flue Exit**
Flexible installation, free standing or hearth configuration with a cooking plate
- **Ash Pan**
Standard feature, easy to clean

SPECIFICATIONS

Efficiency	78% HHV
HeatLife™	30+ hrs**
2020 EPA Certified	0.65 g/hr
Heats up to	2,400 sq ft
Firebox Capacity	2.45 cu ft
BTU	Up to 75,000
Maximum Log Length	24"
Flue Exit & Diameter	Top or Rear - 6"
Ash Pan	Included
Side Load Door	Left
Rear Heat Shield	Included
Actual Weight	520 lbs.
Alcove Certified	Yes
Mobile Home Certified	Yes



Minimum Hearth Protection US/Canada:
Ember Protection Only

CLEARANCE TO COMBUSTIBLE MATERIALS

	Single-wall connector pipe, no close-clearance heat shield	Double-wall connector pipe, with close-clearance heat shield
A	18"	16" *
B	16"	6"
C	21"	11"
D	9"	9" *
E	21 1/4"	21 1/4" *

ACCESSORIES

Convection Blower	93-57600
Close Clearance Heat Shield	93-68600
Outside Air Adapter	93-53500

* Non-door side -or- locked side door