

the original portable pool
doughboy
 POOL ASSEMBLY AND
 INSTALLATION INSTRUCTIONS
TUSCANY
 ROUND POOLS

THINK "SAFETY FIRST"
 Safe and correct use of your new Doughboy pool means swimming and wading only. DO NOT DIVE OR JUMP! The above-ground pool is not designed for these activities!

INSTALLATION
 Installation of a Doughboy pool is not very hard, but it is a big job. The job will be easier if two or three friends help with the installation. Follow all instructions exactly. Your pool warranty is void if pool assembly and installation instructions are not followed 100%. Read all instructions provided with accessories such as filter, pump, skimmer, etc. prior to starting. Plan 2-3 days for pool assembly and installation. Avoid windy days. Before you start, check to see that you have the correct number of parts. Use your Parts List, which is broken down by carton. Do not throw away any of the inspection slips or cartons until you are sure you have all the parts. Your dealer will promptly replace any missing parts. The warranty is void if the design of the pool is altered in any way. No changes may be made to any of the parts. The pool must be assembled according to Doughboy's instructions. You must be completely satisfied with the completed pool installation, whether self-installed or professionally installed, before proceeding with additional landscaping.

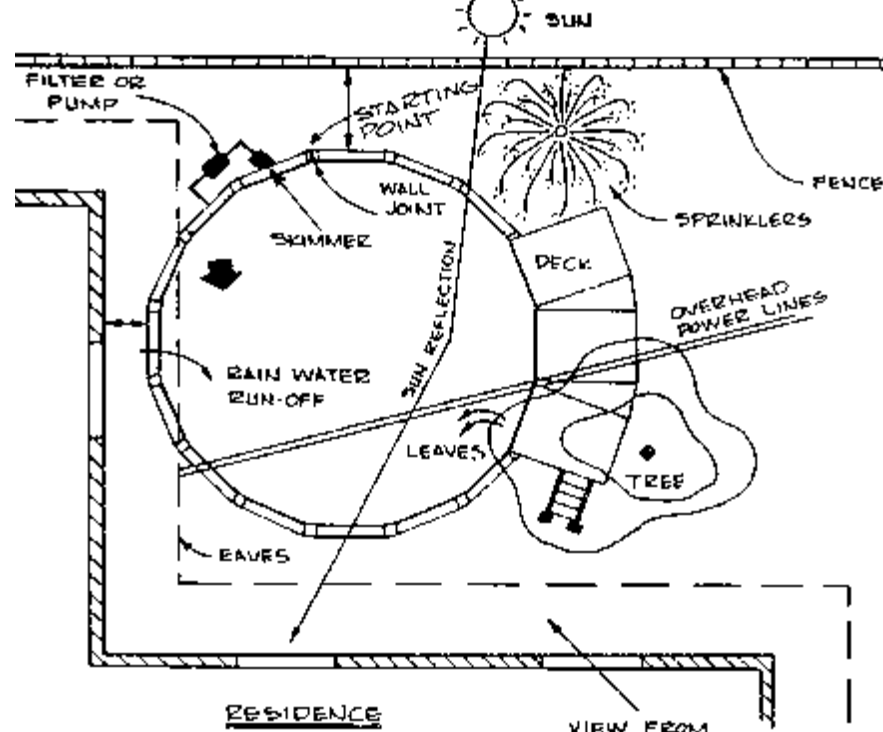
CONTRACT INSTALLATION
 Doughboy Recreational is in no way affiliated with any professional pool installer. Therefore, Doughboy can assume no responsibility for errors in installation by the homeowner or said professional installer. If you have the pool installed by others, please supervise to be sure they comply with proper installation techniques as shown.

LOCAL CODES
 Check to see if building permits or utility clearances are required (for example - National BOCA Code requires the pool to be a minimum of six feet from the property line and a minimum of ten feet from the street). Obey all safety codes for fencing and all electrical codes.

SPECIAL CARE
 Doughboy pools are designed to exceed industry recommended safety factors. However, special care must be taken with certain installation procedures that the installer performs and controls.
 1) **Framework must be level** - Referring to "Installation Cautions" shown at right, six pool installations illustrate improper methods of installation or errors during the leveling of the ground (Step 1) or positioning of the patio blocks (Steps 3 & 4). The entire pool framework must sit on flat (level) ground. An out-of-level condition will produce stresses in the pool structure and/or deformities in the wall that could cause pool wall failure.
 2) **Wall joint and joint piece** - This is where the wall joints together. Damage to the wall joint or joint piece reduces the safety factor and can result in a weak installation. Follow instructions using extreme care.
 3) **Cove** - The cove keeps the liner from creeping out from under the pool wall. Follow instructions to the letter. Don't short-cut or substitute materials. Do not use materials that will shift. Improperly installed pools can rupture, allowing thousands of gallons of water to rush out and cause extensive property damage and personal injury.
 4) **Set up pool on soil surface**. For approved Below-Grade Installation Instructions, see your Doughboy dealer.

Doughboy pools are not designed to be installed below-grade (buried) using these instructions. Outside ground forces can collapse the pool wall.
HOW TO USE THESE INSTRUCTIONS
 These installation instructions are used in conjunction with your pool parts list for identifying parts as referred to in each step. Your pool can be excavated for a deep swimming area if the liner carton is labeled 20 Mil. or 25 Mil. Expandable (see Step 2).

PRELIMINARY PLANNING



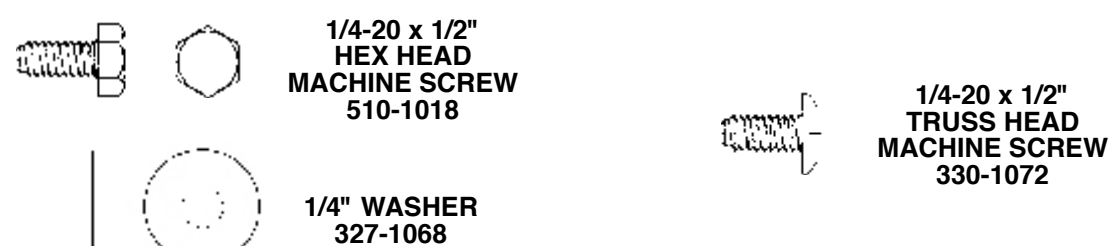
IMPORTANT: Before beginning your pool installation, take a few minutes to consider the following points:

- Check wall clearances to allow enough working area for your pool installation.
- Check for easements.
- Avoid trees and roots; do not allow leaves to fall into the pool.
- Avoid overhead power lines.
- Avoid underground piping and cables.
- Keep sprinklers away from pool sides.
- Select a pool site that allows for the proper supervision of swimmers as well as viewing children near the pool.
- Position the pump and filter near convenient electrical outlets.
- Avoid overhanging eaves to prevent water and debris runoff from your roof.
- Allow 12 inches of undisturbed soil around your pool TOOLS AND MATERIALS REQUIRED
- No sudden slopes within 6 feet of your pool.
- Position your pool on any abrasive area such as concrete, asphalt, peat moss, tar paper, gravel, wood, grass, or on soil which has recently undergone petroleum based chemical treatments.
- Treat the ground inside the pool area with a non-petroleum based fungicide (available at garden supply shops). This may help prevent fungus stains on the liner. Consult your pool dealer.
- Do not install liner on nut grass or Bermuda grass. See your dealer for special instructions.
- Rid pool area of burrowing pests and insects such as gophers and termites.
- Avoid windy days during installation.
- Have 2 or 3 helpers to assist you during pool assembly.

- Tools and Materials Required**
- 7/16" end wrench
 - 2" Carpenter's level
 - Builder's Transit (optional)
 - Hammer
 - Flat end shovel
 - 25' Tape measure
 - Garden rake
 - Tamping tool
 - Roller (if available)
 - Screwdriver, flat end (Large)
 - 2 or 3 Garden hoses (Fill pool)
 - Carpenter's saw
 - Sifting screen (To remove 1/8" pebbles and larger)
 - Sharp knife or single edge razor blade
 - Drill/Bit (See Step 1)
 - Small paint applicator ("Q-Tip", cotton ball or match stick)

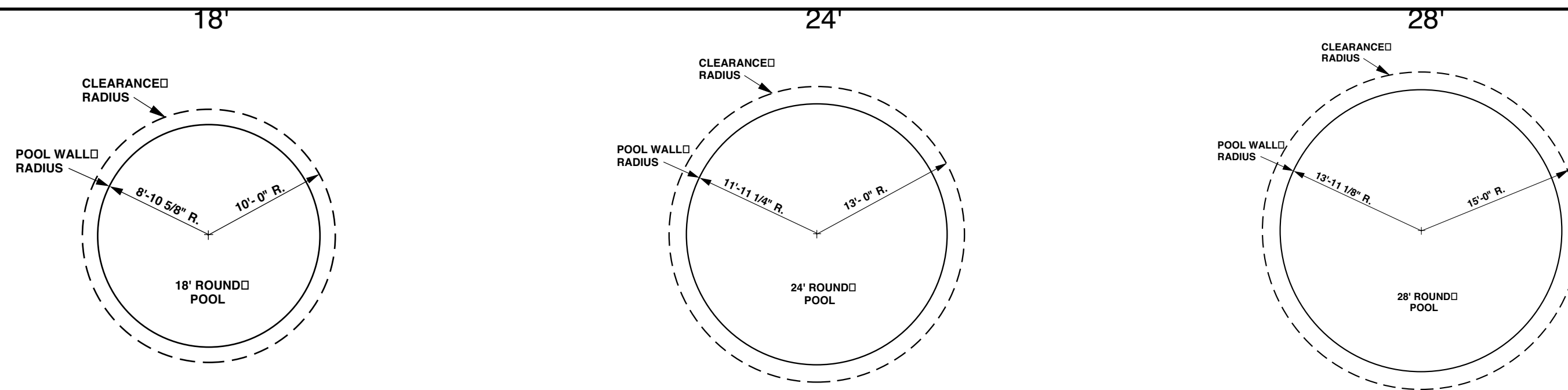
POOL FASTENER IDENTIFICATION

Refer to your Pool Parts list for quantities of fasteners needed to assemble your pool.



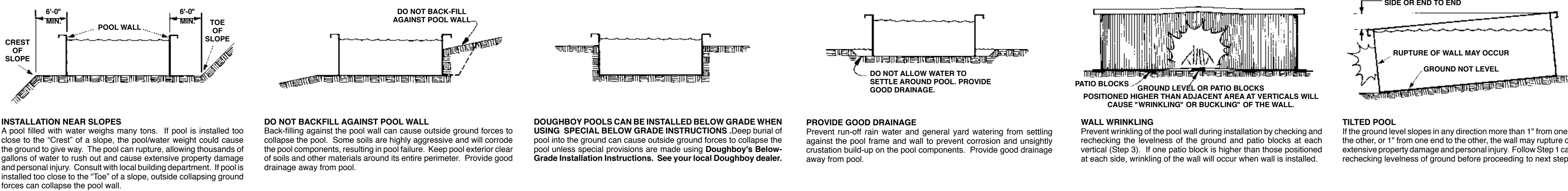
POOL LAYOUT DIMENSIONS

Numbers across the top represent the various diameters of Doughboy above ground family pools. Below each size is a layout of that pool showing the diameter indicated by a solid line, and a clearance radius (see Step 1) which is required for external pool parts. If deep end excavation is desired, additional layout dimensions are given in Step 2. Be sure to read "Preliminary Planning Installation Cautions" before starting installation.

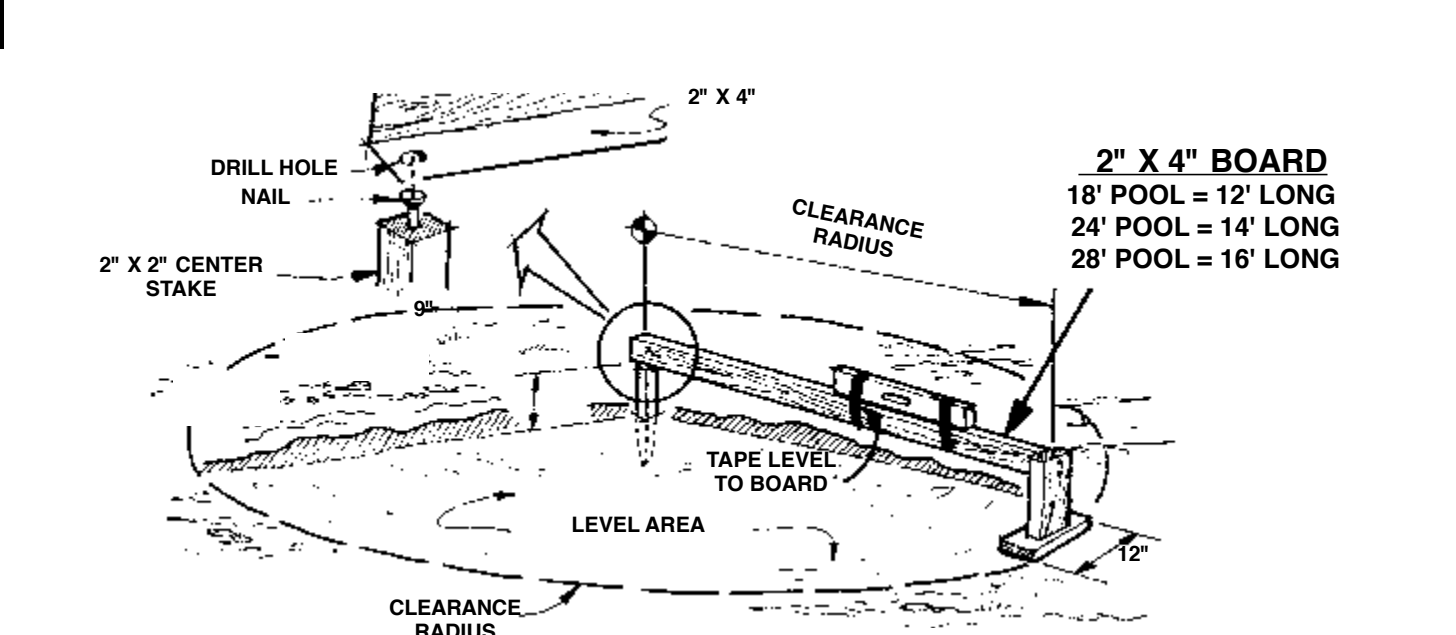


IMPORTANT INSTALLATION NOTE: Pool sizes noted above each diagram are "nominal" sizes only. Refer to the actual pool wall radius if you are installing an optional concrete footing prior to pool assembly. Optional footings should be sized so that the bottom rails and vertical end caps rest entirely on level concrete or blocks.
CAUTION: When installing an optional concrete footing or deck under the pool and/or pool wall, you still must install pool coving as detailed in Step 10. Omitting the coving will allow the liner to be pushed under the pool wall, leading to pool failure.

INSTALLATION CAUTIONS ATTENTION: Doughboy Pools can be installed below-grade by using Doughboy's Below-Grade Installation Instructions. See your local Doughboy dealer.

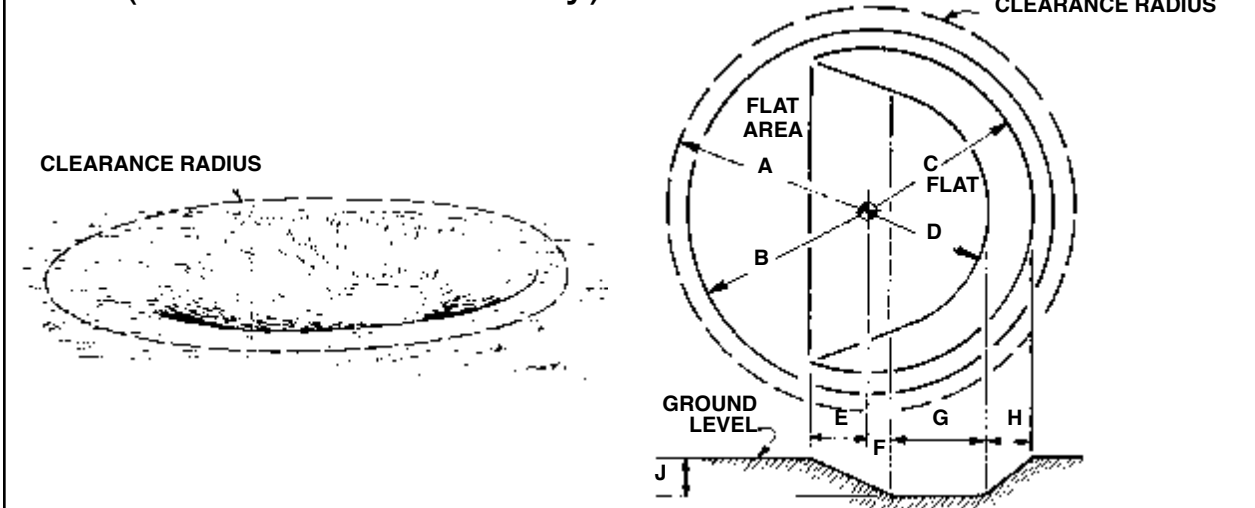


1 POOL LAYOUT & GROUND LEVELING



Refer to the POOL LAYOUT DIMENSIONS above for your pool diameter. Drive a stake into the ground at the pool's center. With a shovel and the constructed depth leveling tool shown above, remove any sod and level the pool area. Level to the lowest spot within the circle. Remove high points - do not fill in low spots. Ground must always be firm. Be sure that the pool area is free of stones, sticks, roots, and other objects that could puncture liner. Remember: the entire assembled pool framework must sit on flat ground within 1 inch of level at opposite sides. Spend additional time now to avoid disassembly later.

2 OPTIONAL SPECIAL PURPOSE DEEP SWIMMING AREA (Stretch-in Liners only)

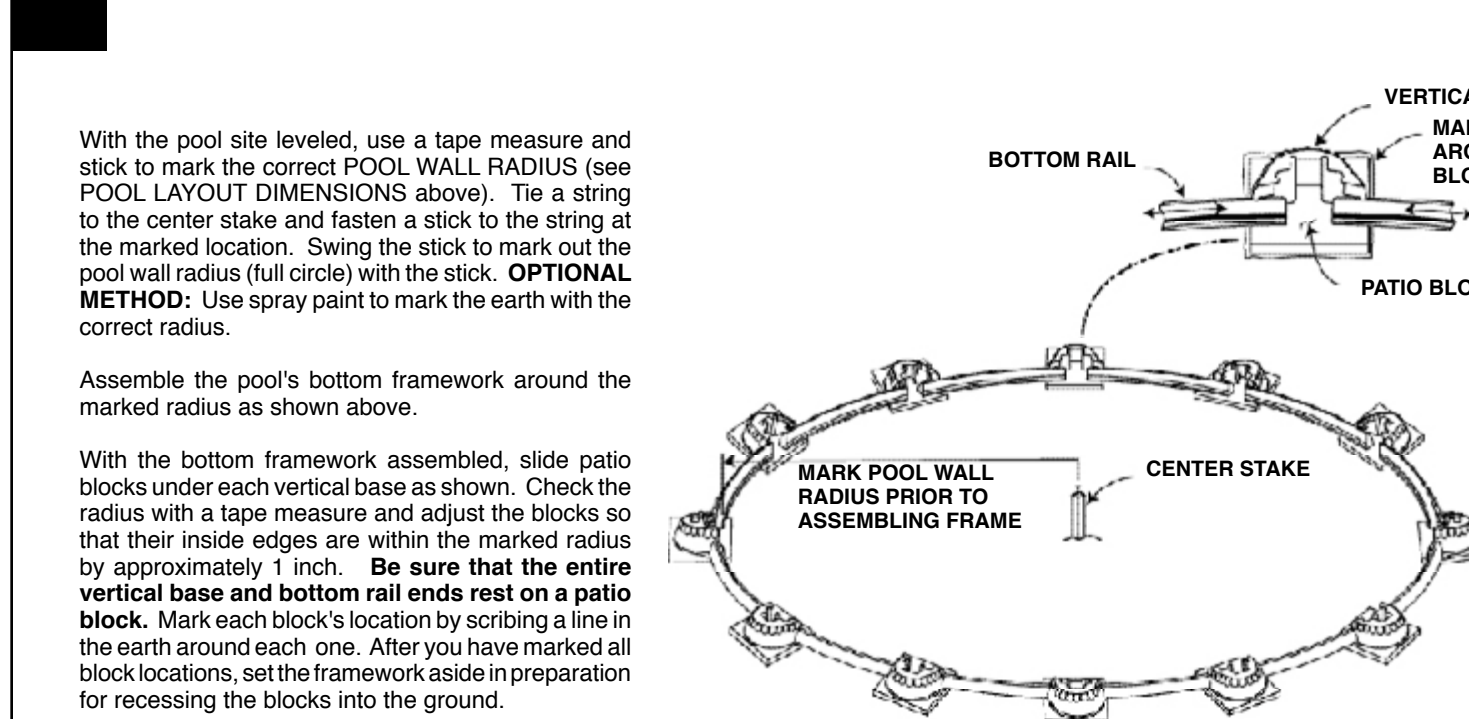


20 MIL. STRETCH-IN LINERS OR THICKER ONLY - You may decide to excavate a deep swimming area as shown above. The Deep Swimming Area is for underwater swimming only, NO DIVING, NO JUMPING. To excavate the deep swimming area, use the illustration shown above, along with the measurements from the chart for your size pool diameter.

POOL DIAMETER

	18'	24'	28'
A	10'	13'	15'
B	9'	12'	14'
C	8'-3"	11'-3"	13'-3"
D	5'-3"	8'-3"	10'-3"
E	5'-6"	6'	7'
F	3'-6"	3'	2'
G	1'-9"	5'-3"	8'-3"
H	3'	3'	3'
J	3'	3'	

3 MARK POOL WALL RADIUS & LOCATE PATIO BLOCKS

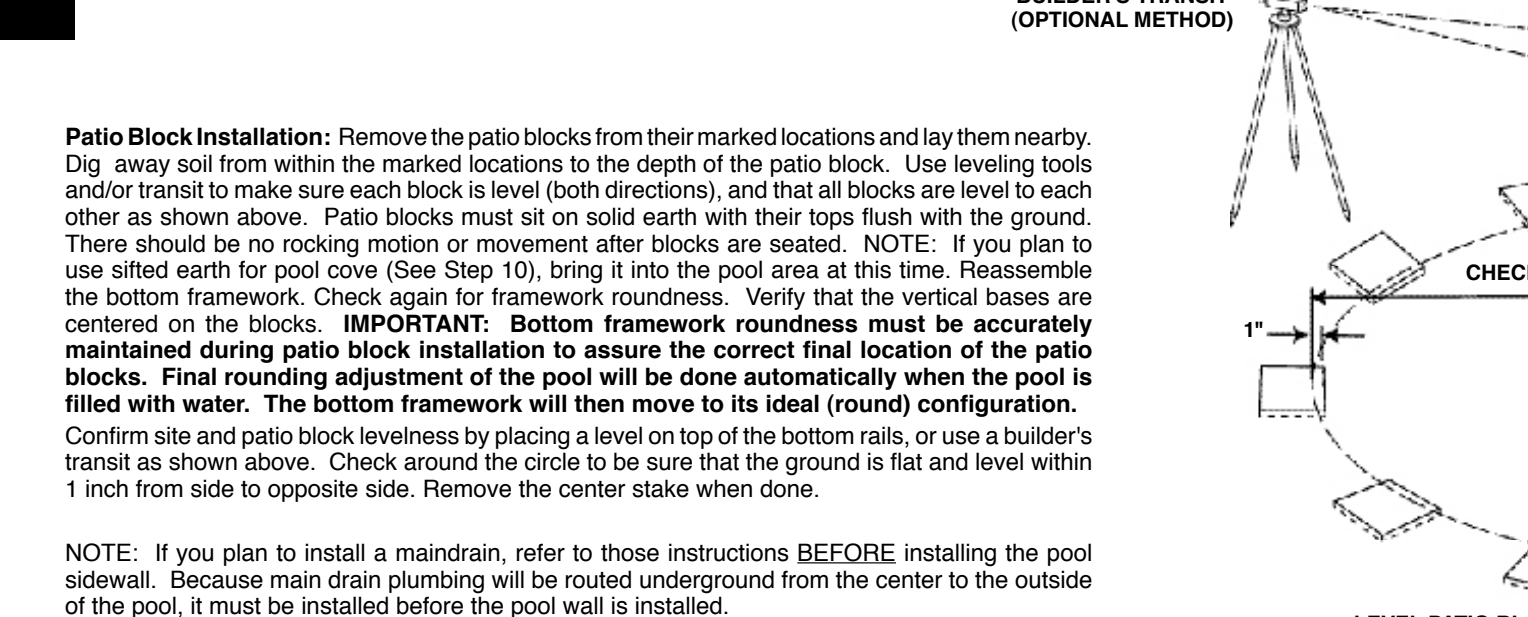


With the pool site leveled, use a tape measure and stick to mark the correct POOL WALL RADIUS (see POOL LAYOUT DIMENSIONS above). Tie a string to the center stake and fasten a stick to the string at the marked location. Swing the stick to mark out the pool wall radius (full circle) with the stick. **OPTIONAL METHOD:** Use spray paint to mark the earth with the correct radius.

Assemble the pool's bottom framework around the marked radius as shown above.

With the bottom framework assembled, slide patio blocks under each vertical base as shown. Check the radius with a tape measure and adjust the blocks so that their inside edges are within the marked radius by approximately 1 inch. Be sure that the entire vertical base and bottom rail ends rest on a patio block. Mark each block's location by scribing a line in the earth around each one. After you have marked all block locations, set the framework aside in preparation for recessing the blocks into the ground.

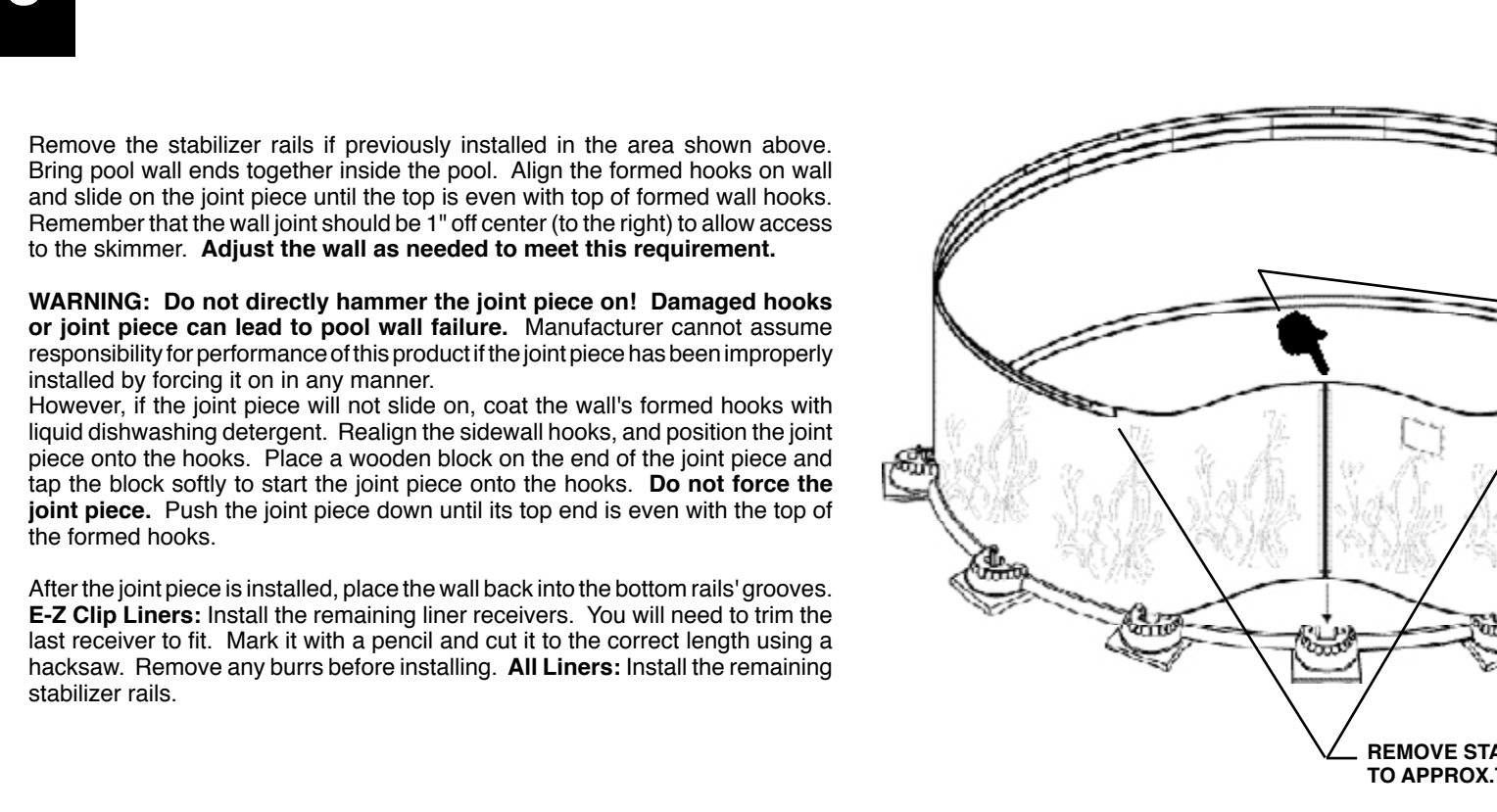
4 INSTALL & LEVEL PATIO BLOCKS



Patio Block Installation: Remove the patio blocks from their marked locations and lay them nearby. Dig away soil from within the marked locations to the depth of the patio block. Use leveling tools and/or transit to make sure each block is level (both directions), and that all blocks are level to each other as shown above. Patio blocks must sit on solid earth with their tops flush with the ground. There should be no rocking motion or movement after blocks are seated. **NOTE:** If you plan to use sifted earth for pool cove (See Step 10), bring it into the pool area at this time. Reassemble the bottom framework. Check again for framework roundness. Verify that the vertical bases are centered on the blocks. **IMPORTANT:** Bottom framework roundness must be accurately maintained during patio block installation to assure the correct final location of the patio blocks. Final rounding adjustment of the pool will be done automatically when the pool is filled with water. The bottom framework will then move to its ideal (round) configuration. Confirm site and patio block levelness by placing a level on top of the bottom rails, or use a builder's transit as shown above. Check around the circle to be sure that the ground is flat and level within 1 inch from side to opposite side. Remove the center stake when done.

NOTE: If you plan to install a maindrain, refer to those instructions BEFORE installing the pool sidewall. Because main drain plumbing will be routed underground from the center to the outside of the pool, it must be installed before the pool wall is installed.

6 INSTALL WALL JOINT

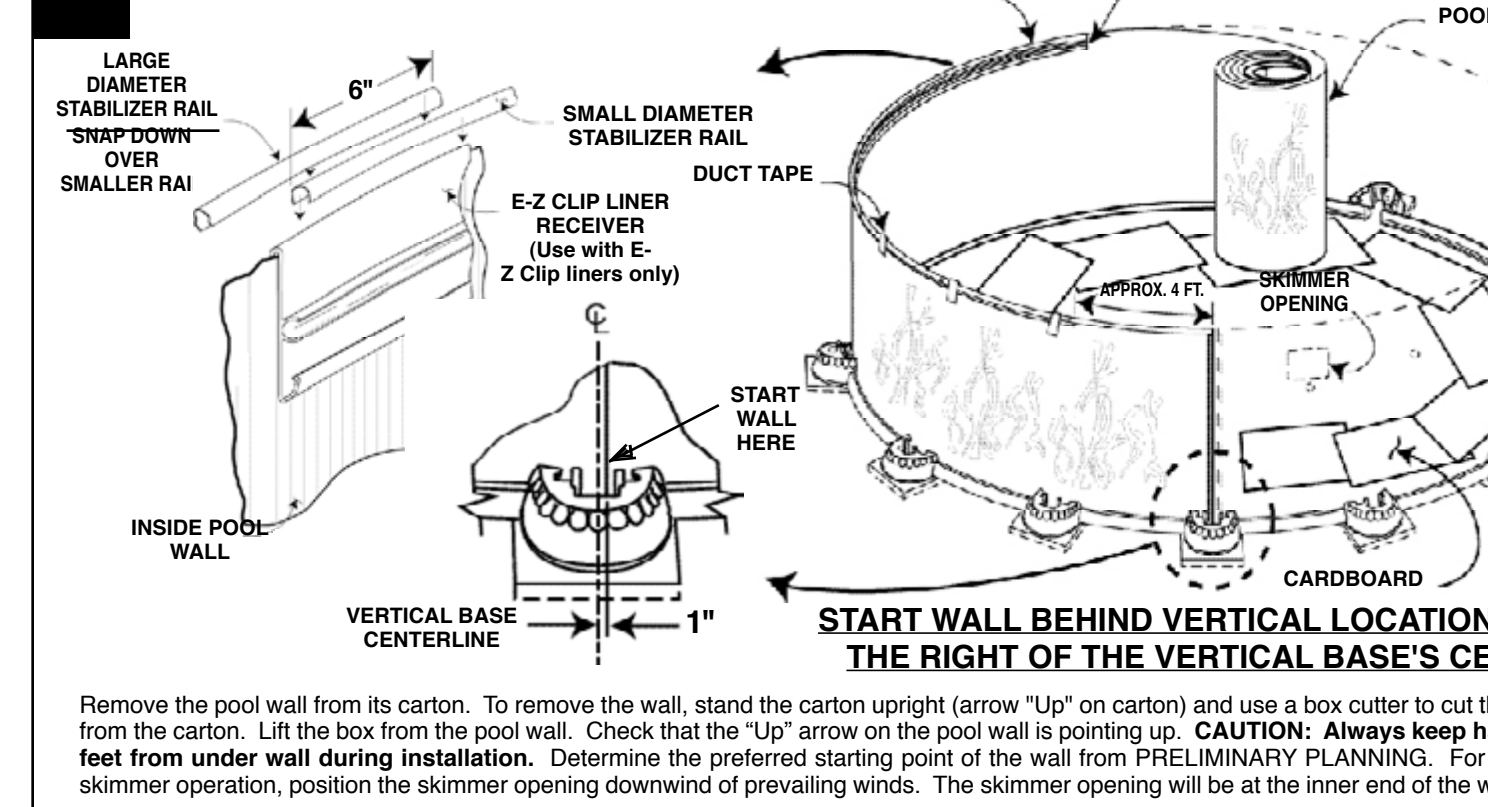


Remove the stabilizer rails if previously installed in the area shown above. Bring pool wall ends together inside the pool. Align the formed hooks on wall and slide on the joint piece until the top is even with top of formed wall hooks. Remember that the wall joint should be 1" off center (to the right) to allow access to the skimmer. Adjust the wall as needed to meet this requirement.

WARNING: Do not directly hammer the joint piece on! Damaged hooks or joint piece can lead to pool wall failure. Manufacturer cannot assume responsibility for performance of this product if the joint piece has been improperly installed by forcing it in any manner. However, if the joint piece will not slide on, coat the wall's formed hooks with liquid dishwashing detergent. Realign the sidewall hooks, and position the joint piece onto the hooks. Place a wooden block on the end of the joint piece and tap the block softly to start the joint piece onto the hooks. Do not force the joint piece. Push the joint piece down until its top end is even with the top of the formed hooks.

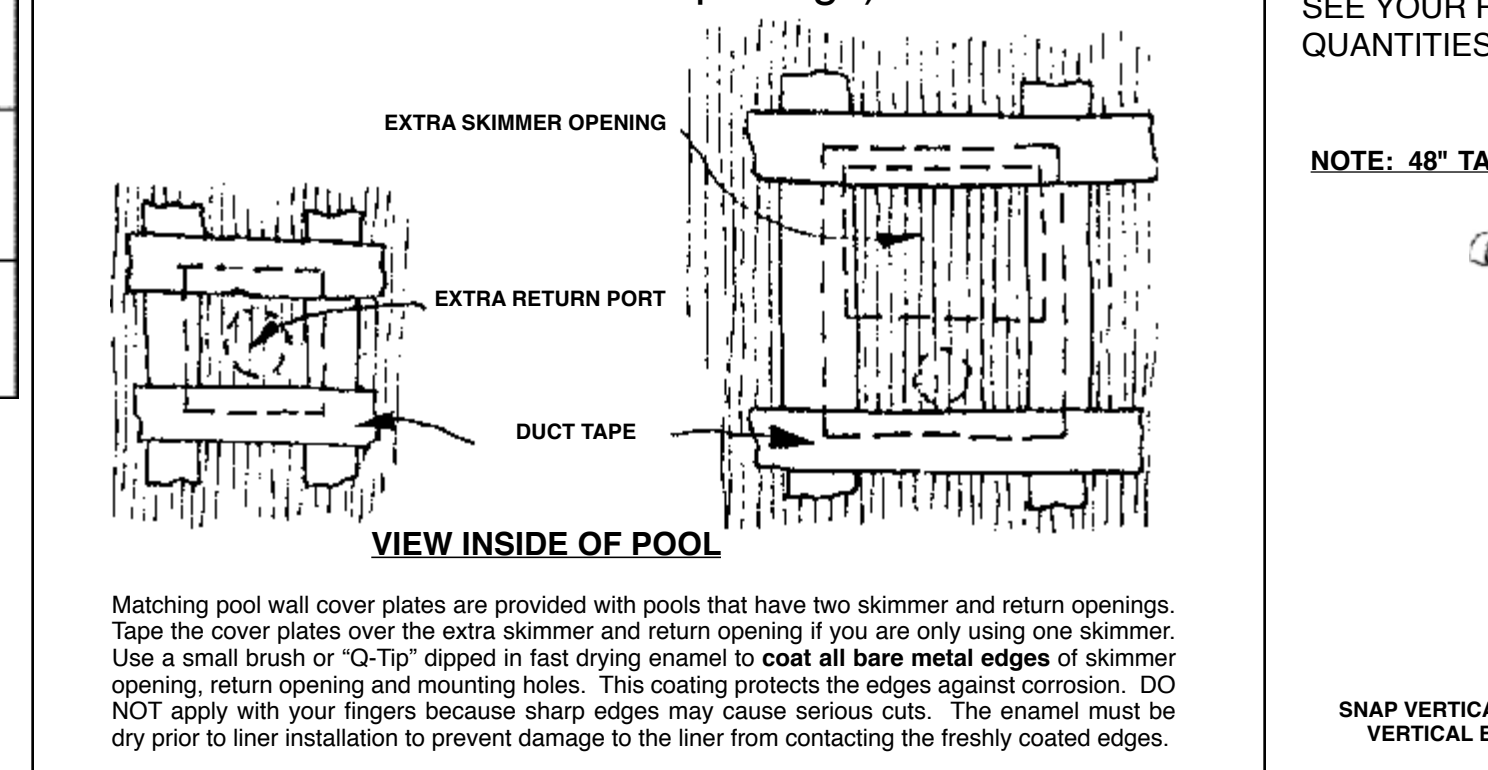
After the joint piece is installed, place the wall back into the bottom rails' grooves. E-Z Clip Liners: Install the remaining liner receivers. You will need to trim the last receiver to fit. Mark it with a pencil and cut it to the correct length using a hacksaw. Remove any burrs before installing. All Liners: Install the remaining stabilizer rails.

5 INSTALL WALL



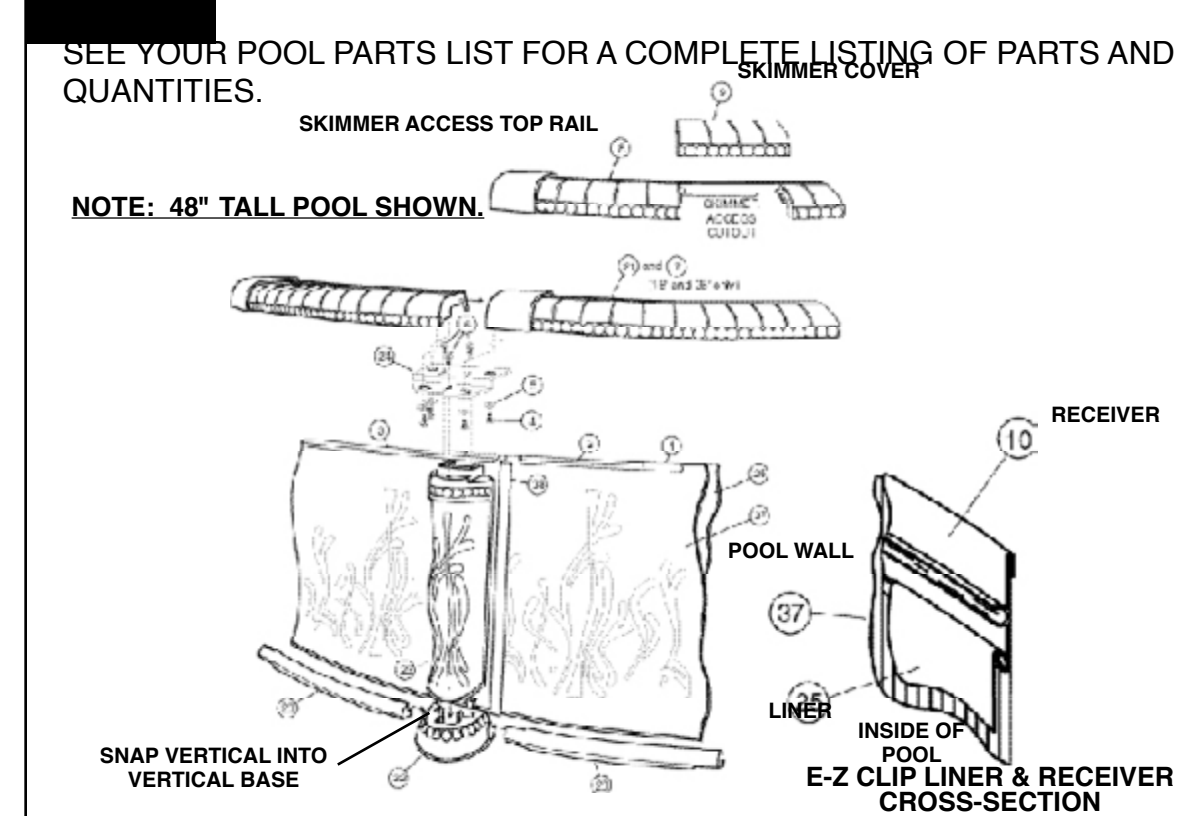
Remove the pool wall from its carton. To remove the wall, stand the carton upright (arrow "Up" on carton) and use a box cutter to cut the bottom feet from under wall during installation. Check that the "Up" arrow on the pool wall is pointing up. **CAUTION: Always keep hands and feet from under wall during installation.** Determine the preferred starting point of the wall from PRELIMINARY PLANNING. For improved skimmer operation, position the skimmer opening downwind of prevailing winds. The skimmer opening will be at the inner end of the wall coil as shown above. To minimize disturbing the leveled pool floor, lay pieces of cardboard around the pools inside perimeter. The wall ends must meet behind a vertical location to hide the wall joint and be offset from the base's center to allow complete access to the skimmer's components. Uncoil about 6 to 10 feet of wall starting behind a vertical base location, 1" TO THE RIGHT OF THE BASE'S CENTER AS SHOWN WHEN VIEWED FROM OUTSIDE THE POOL. Lift and place the bottom edge of wall into the bottom rail groove. After installing a section of wall into the bottom rails, install the liner receiver (E-Z Clip liner installations only), and stabilizer rails (all liners) onto the top edge of the pool wall. When installing an E-Z Clip liner, do not install liner receivers on the first and last four feet of the wall. To install the receiver, push it down over the wall edge as shown. Refer to the installation instructions packed with your E-Z Clip Liner for more specific instructions on receiver installation. **All Liners:** To install the stabilizer rails, insert the ends of the small diameter stabilizer rails into the ends of the large diameter rails, or snap the large diameter rail over the smaller diameter rail, telescoping them about 6 inches. E-Z Clip Liners: Push stabilizer rails down over the liner receiver as shown and secure them to the wall with duct tape at approximately 4 ft. intervals. Stretch-in Liners: Push stabilizer rails down over the pool wall and secure them to the wall with duct tape at approximately 4 ft. intervals. All Pools: Tape the stabilizer rails, working your way around the pool and bring the wall ends together. E-Z Clip Liners: Remember not to install the receiver on the first and last 4 feet of the wall. However, to aid wall stability, you may need to temporarily install stabilizer rails on the first and last 4 feet of the wall. All Liners: Adjust all bottom rails in or out uniformly if the wall ends don't meet. **DO NOT make the total adjustments with one or two bottom rails.**

7 COAT OPENINGS (For pools with two skimmer and return openings)



Matching pool wall cover plates are provided with pools that have two skimmer and return openings. Tape the cover plates over the extra skimmer and return opening if you are only using one skimmer. Use a small brush or "Q-Tip" dipped in fast drying enamel to coat all bare metal edges of skimmer opening, return opening and mounting holes. This coating protects the edges against corrosion. DO NOT apply with your fingers because sharp edges may cause serious cuts. The enamel must be dry prior to liner installation to prevent damage to the liner from contacting the freshly coated edges.

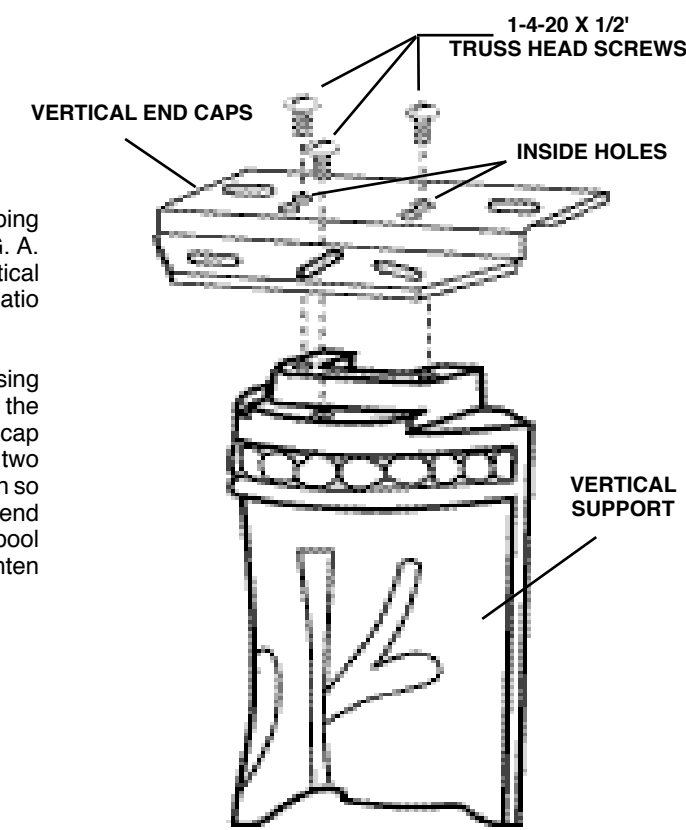
FIG. A EXPLODED POOL ASSEMBLY



SEE YOUR POOL PARTS LIST FOR A COMPLETE LISTING OF PARTS AND QUANTITIES.

NOTE: 48" TALL POOL SHOWN.

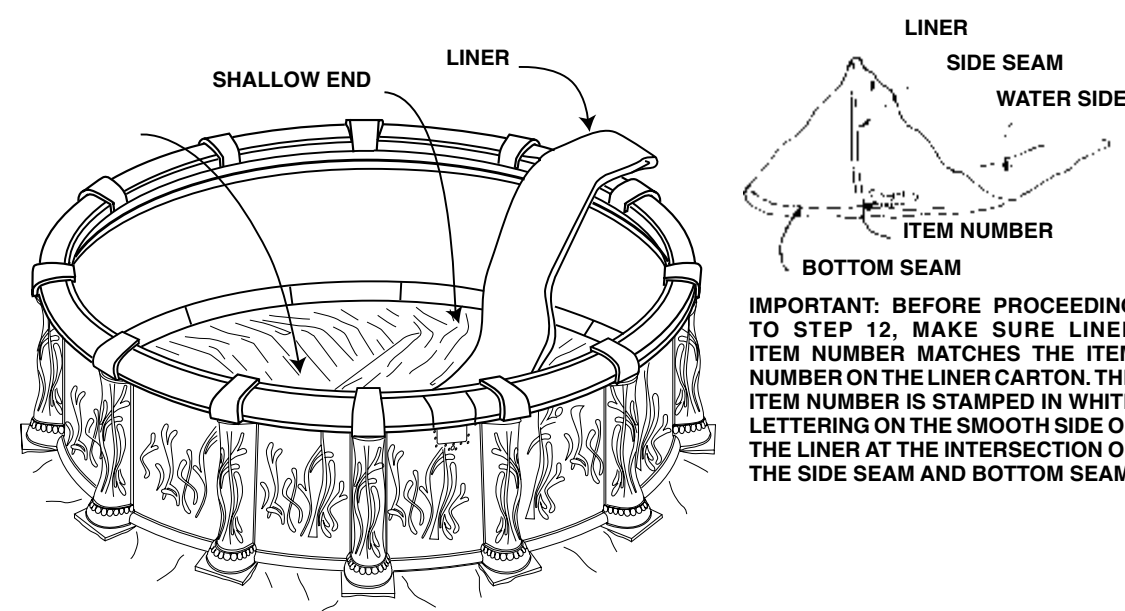
8 INSTALL VERTICAL SUPPORTS AND END CAPS



Install the pool's vertical supports by snapping them into the vertical bases as shown FIG. A. The verticals must rest evenly on the vertical bases. If they don't, check the level of the patio blocks and relevel them as needed.

Install the vertical end caps as shown using 1/4-20 x 1/2" Truss Head Screws through the two holes and one slot in each vertical end cap (see Fig. A and illustration above). Use the two holes toward the inside of the pool as shown so that the stabilizer rails are trapped by the end caps' flange. Work your way around the pool until all vertical end caps are installed. Tighten all screws securely.

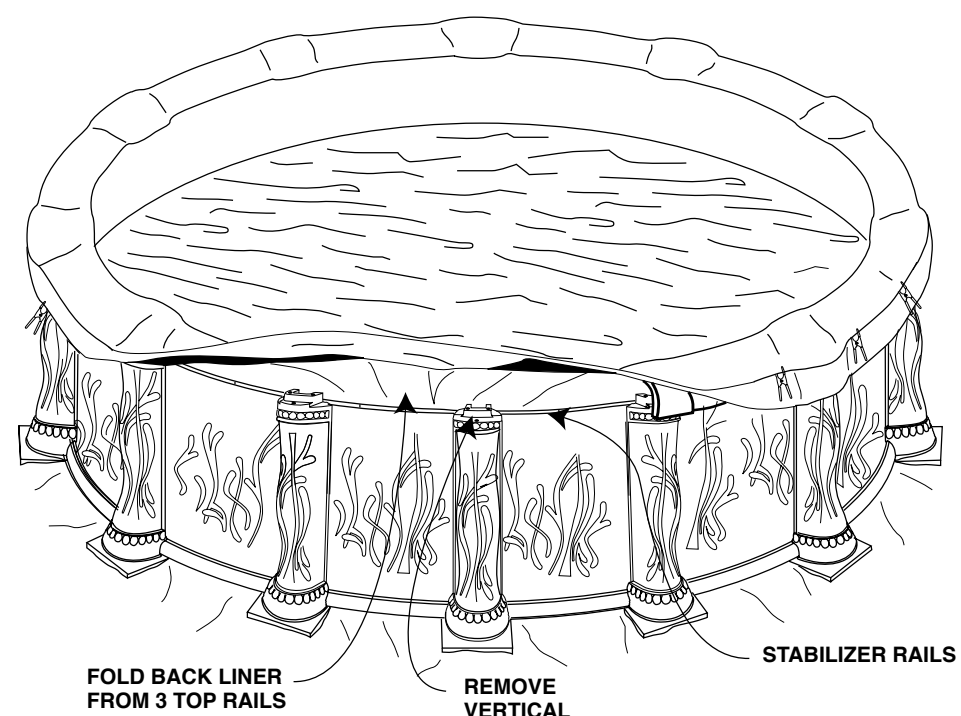
12 LINER SEAM POSITIONING FOR EXCAVATED POOLS ONLY (Stretch-in Liners)



IMPORTANT: BEFORE PROCEEDING TO STEP 12, MAKE SURE LINER ITEM NUMBER MATCHES THE ITEM NUMBER ON THE LINER CARTON. THE ITEM NUMBER IS STAMPED IN WHITE LETTERING ON THE SMOOTH SIDE OF THE LINER AT THE INTERSECTION OF THE SIDE SEAM AND BOTTOM SEAM.

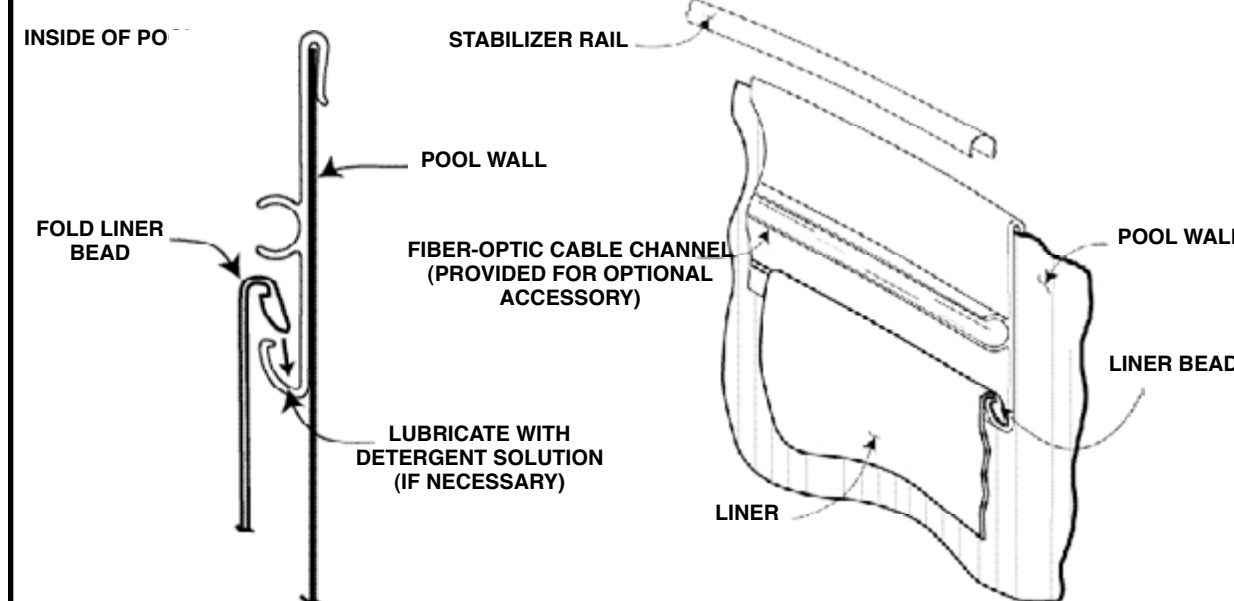
Check flatness of tapered area with 2" x 4" board. Fill in all slight depressions with sifted earth and tamp. Remove all stones and sharp objects. Fill in all footprints on pool floor. Place liner on top of middle top rail at the shallow end of pool. The liner should have the loose end overhanging the outside of pool by about 12 inches. Hold end and unroll down middle of pool into deep end. The center seam or center section of the liner must begin at the shallow end and run along the center line of the pool to the deep end.

16 PROCEDURE TO ATTACH LINER



With the help of two or three people, raise and hold the liner up from any three top rail sections. Remove three top rails, two vertical end caps and stabilizer rails. REMEMBER, NEVER ALLOW LINER TO FALL BACK INTO POOL.

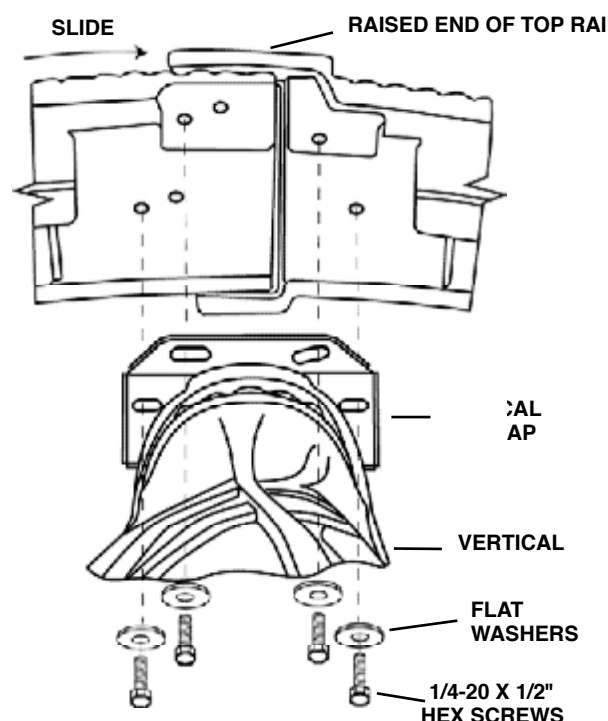
19 INSTALL E-Z CLIP LINER



E-Z CLIP LINER & RECEIVER CROSS-SECTION

9 ATTACH TOP RAILS

18' POOL

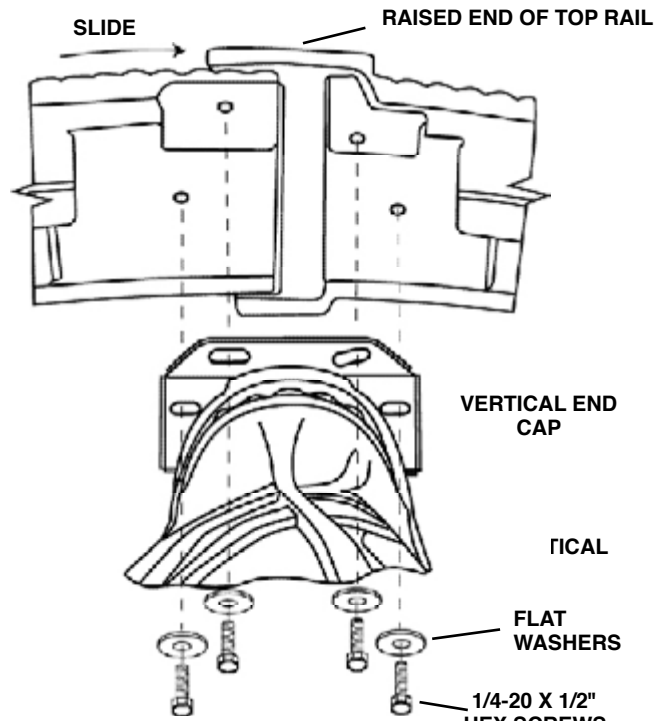


Lay the top rails on the verticals one at a time, sliding the end of each rail under the raised end of the last rail placed. Center the raised end of each top rail over its respective vertical support.

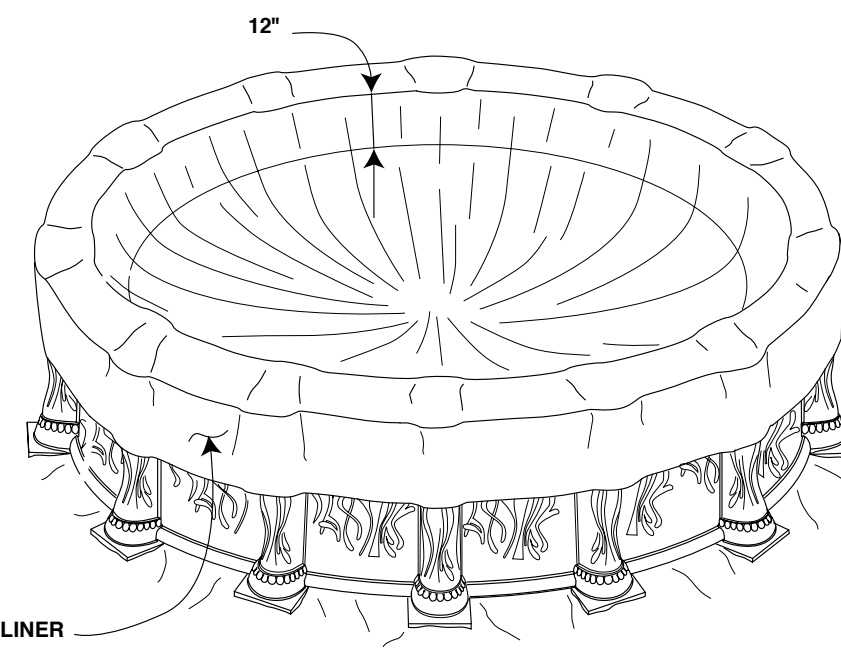
Each pool size has a specific hole pattern for mounting the top rails to the verticals as shown above. To assure that your using the correct holes, refer to the figure above that matches your pool size. Attach the top rails to the vertical end caps using two 1/4-20 x 1/2" hex head screws and washers at the locations shown for your pool size. Push the top rails toward the center of the pool just prior to final screw tightening. Be sure to use the Skimmer Access Top Rail at the location above the skimmer cutout in the pool wall (see Fig. A).

After securing the top rails, it's important to perform a final level check on the framework. Place the level on each top rail, working around the pool to assure that the framework is on flat level ground with opposite sides no more than 1 inch out of level. **Remember: Always remove soil to adjust the framework - never fill in!**

24' & 28' POOL



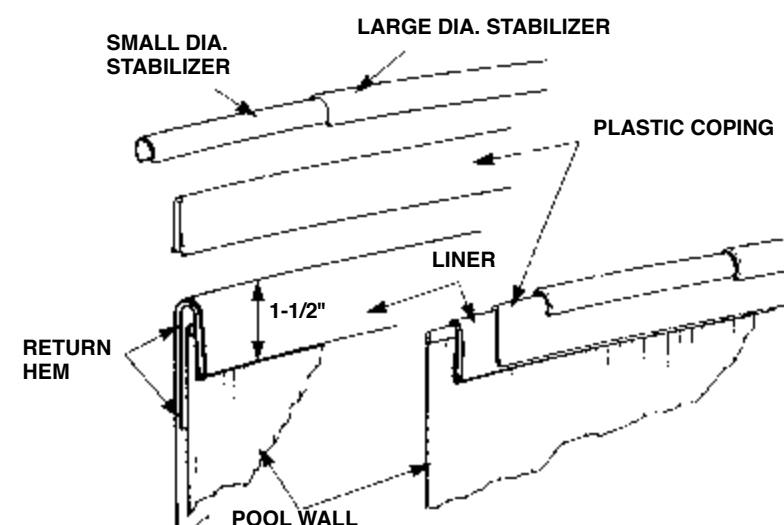
13 STRETCH LINER



Work in both directions from the point where the liner is overhanging. Unfold liner, drape over the top rail and down the sides. The liner should be 6" to 12" above the pool floor in the center ONLY. Remember that the center seam or center section of the liner must be positioned at the center line of the pool. The bottom edge seam of the liner should be inside the pool about 12 inches below the top rails. Correct any bunching or pleating conditions in the liner wall. Inspect liner for open seams. If any are found, return liner to dealer for prompt replacement.

NOTE: Because this is a special extra-tall liner made specifically for Tuscan pools, there will be more than the normal amount of excess material.

17 INSTALL COPING AND STABILIZER RAILS



Make a return hem as illustrated. DO NOT cut off excess liner material as the liner will "slip" under the plastic coping, causing liner to fall back into the pool. Smooth liner against wall and secure to top of wall with plastic coping. Place stabilizer rails over coping, alternating telescoping small diameter into large diameter about 6 inches as before. One large diameter stabilizer rail fits between each pair of side supports. They DO NOT telescope.

NOTE: At the skimmer and return openings only, the return hem must be cut away between the steel side wall and the liner side wall. (This will insure that there is only one thickness of liner material covering the skimmer and return openings to affect a positive gasket seal). DO NOT CUT the liner side wall at any other location. Replace all parts removed in Step 15. Repeat the same steps for the entire pool perimeter, working just three top rail sections at a time. **DO NOT allow liner to fall back into pool. WHEN FINISHED, PROCEED DIRECTLY TO STEP 21.**

20 FILL THE POOL - E-Z CLIP LINER

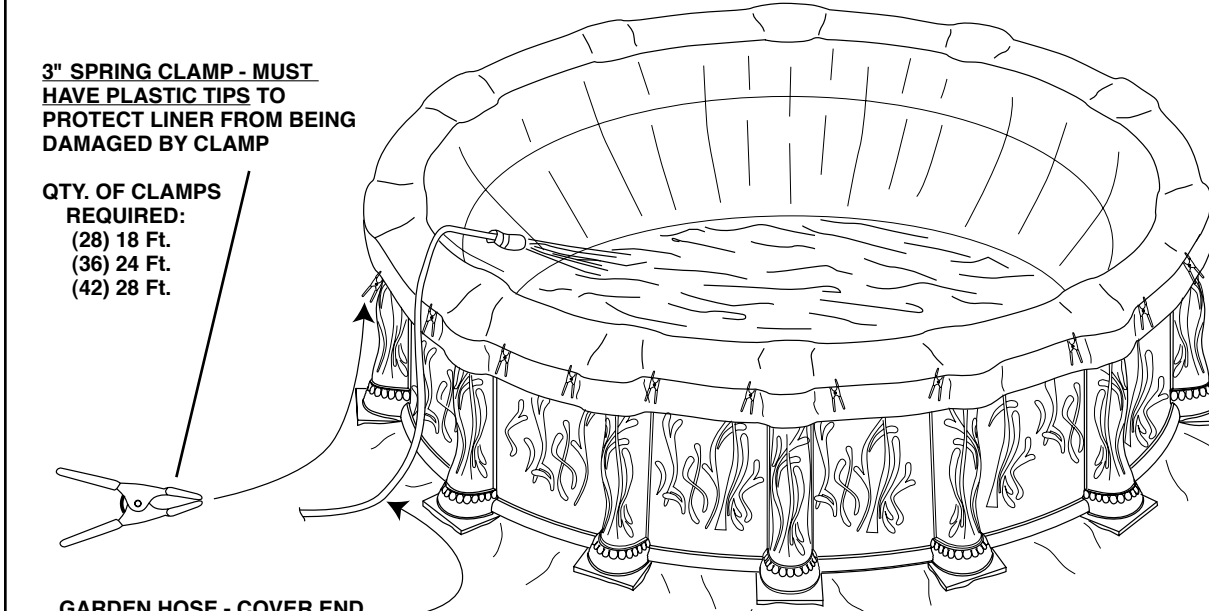
Before you begin filling the pool with water, run your fingers around the liner at the receiver channel to check that the bead is completely seated and hooked. Correct any areas where the liner is not securely hooked into the receiver.

- Initially fill the pool with water to a depth of no more than 1/2 to 3/4 inches (1,3-2cm).
- If your pool has a firm bottom, enter the pool with soft-soled shoes (See CAUTION from Step 11). Starting at the center and working outward, drag your feet on the liner to pull out any remaining wrinkles.
- When you are finished removing wrinkles, continue filling the pool to a 2 ft. (61cm) level as shown. As the pool fills, watch the liner bead to verify that it remains in the receiver channel. If the liner bead comes out of the bead channel, immediately stop filling and reinstall the liner bead.
- Install the skimmer and return fittings at this time. Follow the instructions provided with those items. Connect your pump and filter hoses to the skimmer and return ports. Tighten all hoses securely.
- Finish filling the pool to the correct level as indicated on your skimmer faceplate while continuing to monitor the liner bead. When finished filling, start the pump and check for leakage. Correct any leaks found.

Cleaning Liner: If you decide to drain the pool to clean the liner, or for any other reason, you must leave at least 1 foot (12 inches) of water in the pool, measured from ground level up the pool's sidewall. Failure to comply with this warning may void the liner warranty. Clean the liner with a mild detergent solution and water. NEVER USE SOLVENTS OR ABRASIVE CLEANERS TO CLEAN THE LINER.

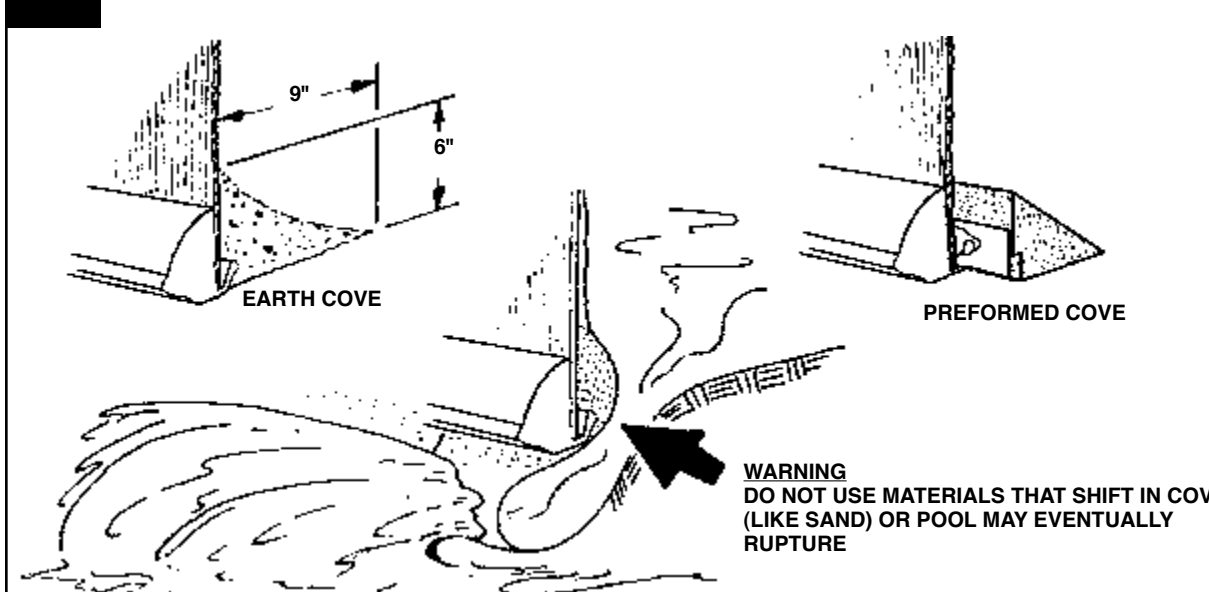
Liner Replacement: If you decide to replace the liner, you must have the replacement liner at the pool site and ready for immediate installation. DO NOT leave the pool standing without a liner. Do not attempt to install the replacement liner on a windy day. Severe wind damage to your pool may result.

14 BEGIN FILLING POOL



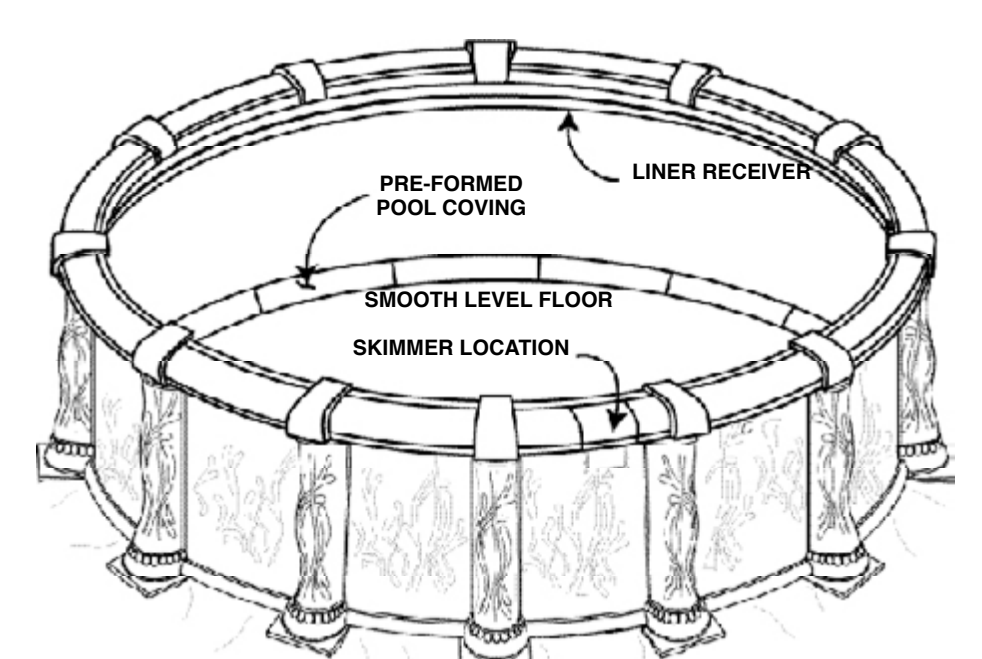
With the liner in position, hold in place by attaching two 3" spring clamps on the underside of each top rail. Carefully cover the end of a garden hose with a sock, tape securely as shown, and place it in the pool to begin filling. As the pool fills, the liner will stretch as the water begins to cover the bottom. At this time, check the sidewall for extreme tautness. Spring clamps do not self-release. Any area that feels too tight should be relieved by releasing the clamp(s) and allowing the liner to feed back into the pool until the desired tautness is achieved.

10 INSTALL COVE



Important Step: The cove is a vital structural element that prevents water pressure from forcing the pool liner out under the bottom rail. The manufacturer will not assume responsibility for pool failure should the cove be omitted. **EARTH COVE:** Use screened damp earth to form a cove around the inside base of the pool wall as shown above. Shape and compact the earth firmly. **PREFORMED:** Specifically designed preformed pool cove is available from your Doughboy dealer. Follow the cove manufacturer's installation instructions. Recheck the pool for roundness after installing the cove and adjust the wall and verticals as needed. **IF YOU INTEND TO INSTALL AN E-Z CLIP LINER, SKIP STEPS 11 THROUGH 17 AND PROCEED DIRECTLY TO STEP 21. IF YOU ARE INSTALLING A STRETCH-IN TYPE LINER, PROCEED TO STEP 11.**

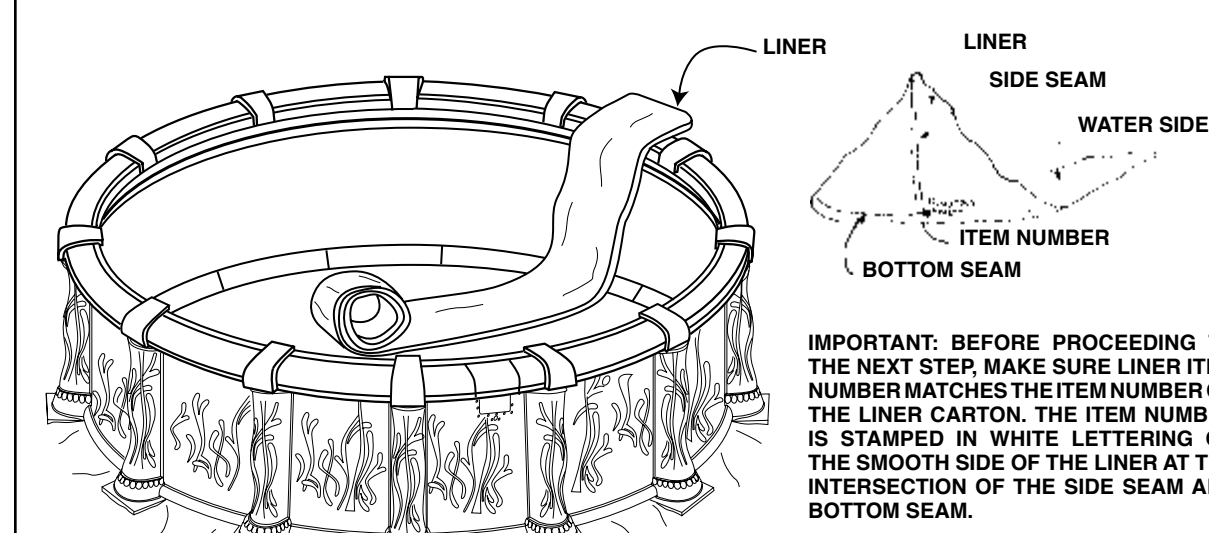
18 CHECK FRAME ASSEMBLY, E-Z CLIP



Check that all frame assembly is complete. Check the pool floor (area inside pool wall) for flatness. Fill in all slight depressions with sifted earth and tamp firmly. Remove all stones and sharp objects. Fill in all footprints on the pool floor.

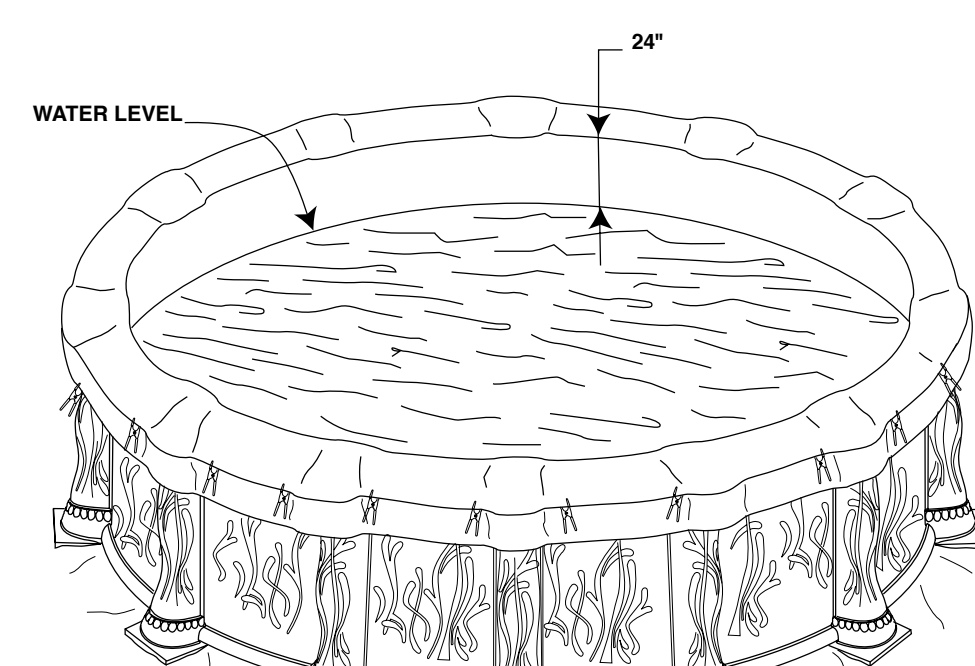
15 CONTINUE FILLING POOL

LINER SEAM POSITIONING



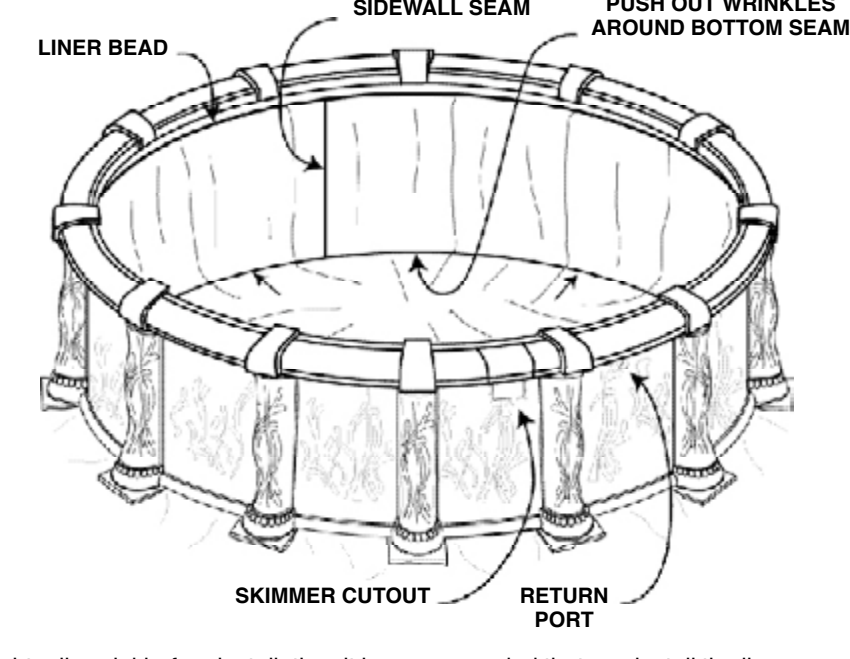
Check the pool floor (area inside pool wall) for levelness. Fill in all slight depressions with sifted earth and tamp. Remove all stones and sharp objects. Fill in all footprints on pool floor. Place liner on top rail. The liner should have the loose end overhanging the outside of pool by about 12 inches. Hold end and unroll liner down middle of pool as you would a carpet. Do not place liner side seam over skimmer or return fitting opening. The center seam of the liner must be positioned at the center line of the pool on 24-foot round pools. For 16 and 28-foot round pools, position the center liner section (not the seam) at the center line of the pool. **NOTE:** The embossed side of the liner will be the water side.

15 CONTINUE FILLING POOL



Continue filling pool. **Never allow liner to fall back into pool.** Water between the liner and wall can cause pool failure. When pool has approximately 24 inches of water, stop filling. Do not resume until Steps 16, 17 and 21 are completed. **CAUTION:** Do not cut any openings into liner at this time.

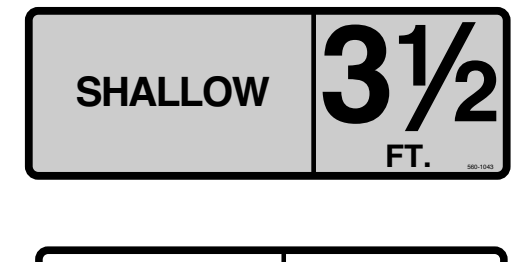
18 CHECK FRAME ASSEMBLY, E-Z CLIP



To ensure a virtually wrinkle-free installation, it is recommended that you install the liner on a sunny day with temperatures above 60° F (16° C). The sun will warm and relax the liner material, making any wrinkles easier to remove. Installation will also be easier if you have the help of at least one other person.

Important: Before installing the liner, be sure that its item number matches the item number printed on the liner carton. Open the liner carton being careful not to damage the liner with any sharp tools. The item number is stamped in white lettering on the wall side of the liner at the intersection of the side and bottom seams as shown above.

21 READ ME FIRST FOR POOL SAFETY BOOKLET • WARNINGS • LABELS • SIGNS



With pool completely assembled, install skimmer, filter, etc. using the instructions provided with those units. Finish filling pool to the correct level as indicated on your skimmer face plate.

Now that you have installed your new pool, Doughboy Recreational would like you to know we are very concerned about your family's safety, so we have provided an assortment of safety literature with your new pool, but it is also a big responsibility. Please take the time to read, and understand all the safety literature provided. We have also provided you with an assortment of signs and decals. Safety decals and caution information provided with your pool have been endorsed by the U.S. Consumer Product Safety Commission. **It is mandatory that the pool owner and installer follow the use directions for all provided safety signs and decals. We have also provided you with a booklet titled "Read Me First for Pool Safety," which will give you a detailed description of where and how to apply your safety decals and signs.** Remember, warnings only help if you put them up. Please help us protect the good health and safety of your family and friends! Read the "Read Me First for Pool Safety" book through completely and follow the directions in it. Don't forget to use a marking pen to write the number of a rescue agency on the signs and on the back of your "Read Me First" booklet.

If any of your safety literature, signs or decals become lost or damaged; you can get more free of charge by contacting Doughboy's Customer Service Department: Doughboy Recreational - 315 No. Sebastian St. - West Helena, AR 72390, or by calling toll free: (877) 228-4386

Important! Above-ground pools are designed for swimming and wading only. Do not Dive or Jump! Misuse

of your pool may result in crippling injury and/or other dangers to life and health. Do not use slides, diving boards, or any other platform or object which can be used for improper pool entry. Use only an above-ground swimming pool ladder or entry system to enter or exit your pool. Never attempt to swim or reach behind ladders or any other pool entry system. It is the pool owner's responsibility to secure the pool against unauthorized, unsupervised, or unintentional entry. It is also the pool owner's responsibility to warn all pool users of the hazards of diving into shallow water, paralyzing injury may result. **Juveniles must be supervised at all times by a responsible adult as directed by the U.S. Consumer Product Safety Commission.** Always obey all safety rules. Remember, pool safety is everybody's responsibility.

Change of Design: Doughboy Recreational expressly reserves the right to change or modify the design and construction of any product in due course of our manufacturing procedures, without incurring any obligation or liability to furnish or install such changes or modifications on products previously or subsequently sold.