

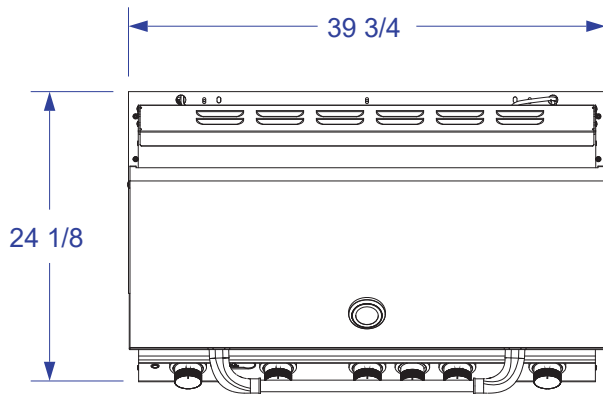
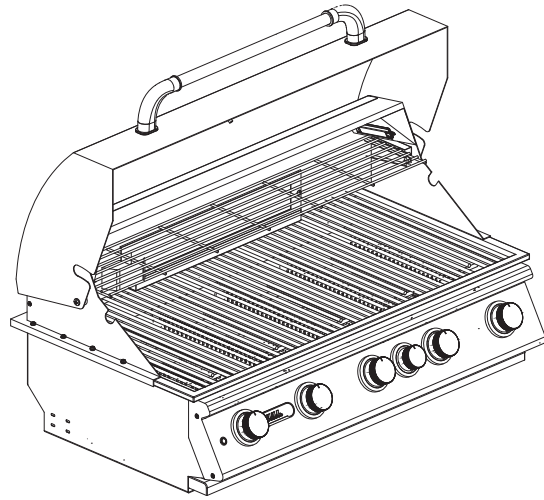


BRAHMA GRILL

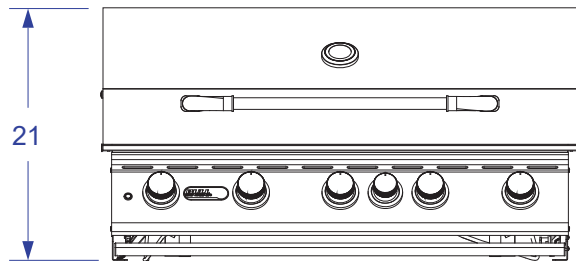
SPEC SHEET

ITEM# 57568 LP

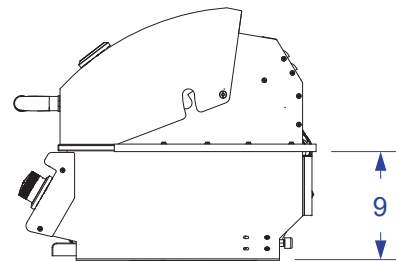
ITEM# 57569 NG



TOP



FRONT



RIGHT

NOTES:

1. CUTOUT DIMENSIONS: 38 1/2"W X 21"D X 9 1/2"H
2. ISLAND MUST BE CONSTRUCTED OF NON-COMBUSTIBLE MATERIAL.
3. SCALE: 1" = 1'-0"