

MISSION

B-VENT GAS FIREPLACES



*Mission 36 shown with White Stacked
Brick and Split Oak Log Set*

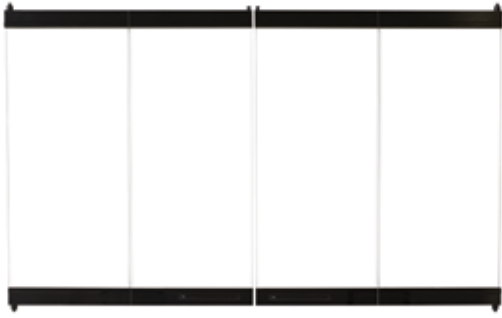


From the stunning, unobstructed views of its dancing flames to the radiant beauty that only comes from advanced engineering, the **Mission B-Vent Gas Fireplace** offers the style and performance demanded by today's homeowners. Standard features like multi-dimensional refractory log arrangement and a deep glowing ember bed keep living areas cozy and inviting, while optional accessories like Extruded Aluminum Bi-Fold Glass Doors add style to any room. As versatile as it is beautiful, the Mission is the choice for affordable comfort without compromise.

Options

DOORS

Black Decorative Door Trim accents the Bi-Fold Glass Doors.



Black

Standard

INTERIORS

Choose from White Stacked or White Herringbone interior to complement your decor.



*White Stacked
(Back, sides and hearth)*

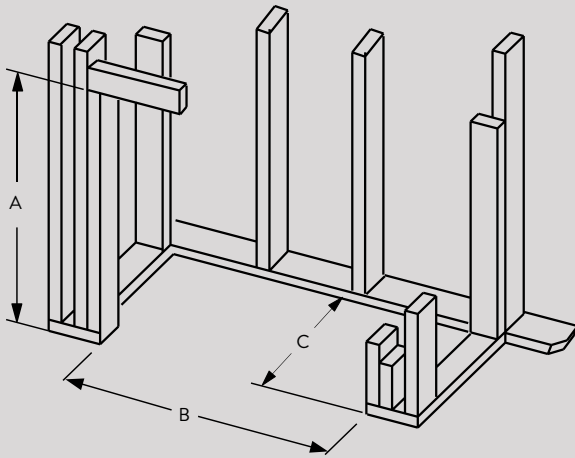


*White Herringbone
(Back, sides and hearth)*

STANDARD FEATURES

- ◆ Available in 36" and 42" radiant (clean-face) models
- ◆ Dual tube burner uses 6" b-vent
- ◆ Millivolt (Remote-ready) or electronic ignition
- ◆ Dramatic yellow flames with glowing ember bed
- ◆ Detailed ceramic fiber "split oak" log set with log grate
- ◆ Two interior options (white stacked refractory panels or white herringbone refractory panels)
- ◆ Screens retract into hidden screen pockets
- ◆ Hidden gas controls with damper safety switch
- ◆ Durable textured powder coat finish
- ◆ Optional outside air kit for increased performance
- ◆ Optional blower and remote controls available for all models
- ◆ Dual access pre-wired electrical J-box
- ◆ Lifetime limited warranty

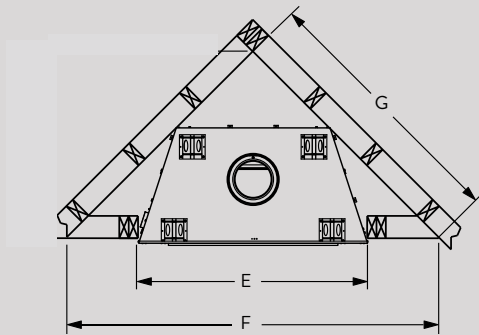
FLAT WALL FRAMING SPECIFICATIONS



MISSION 36 MISSION 42

A	40-3/8"	44-3/8"
B	41-1/4"	48-1/4"
C	21-3/8"	23-1/8"

CORNER FRAMING SPECIFICATIONS



MISSION 36 MISSION 42

E	41-1/4"	48-1/4"
F	73-7/8"	83-7/8"
G	52-3/16"	59-5/16"

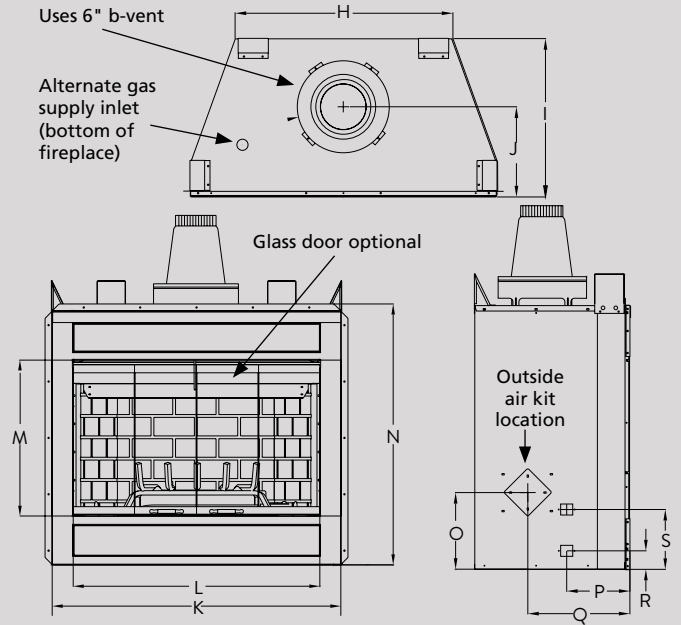
IMPORTANT NOTES:

As with any fireplace, this appliance is extremely hot during operation. Read and understand all operating instructions before using this appliance. For further information, consult your dealer.

Local conditions, such as elevation, wind, vent configuration and choice of fuel will affect overall appearance of the fire and heating performance. Performance can also vary with home design and insulation, climate, condition and type of fuel used, appliance location, burn rate, accessories chosen, chimney installation and how the appliance is operated.

Diagrams, illustrations and photographs are not to scale—consult installation instructions. Product designs, materials, dimensions, specifications, colors and prices are subject to change or discontinuance without notice.

APPLIANCE SPECIFICATIONS



MISSION 36 MISSION 42

H	29"	36"
I	21-1/4"	23"
J	12"	14"
K	41"	48"
L	34-3/4"	42"
M	21"	24"
N	36"	40"
O	10-1/2"	12-1/2"
P	8-5/8"	10-1/2"
Q	13-7/8"	14"
R	2-1/2"	2-1/2"
S	8-1/8"	8-1/8"

FIREPLACE SPECIFICATION-FIXED BTU INPUT

MODEL	FUEL	BTU/HR
MISSION36	NG	40,000
MISSION36	LP	31,000
MISSION42	NG	45,000
MISSION42	LP	37,000



© 2019 Innovative Hearth Products
785377M 11/19

Visit us online
Astria.us.com

