

VPP1A22 - SIMULATED BRICK LINER KIT INSTALLATION INSTRUCTIONS

INSTALLING OPTIONAL BRICK LINER

1. Remove screen assembly from fireplace.
2. Remove logs from burner assembly.
3. Insert rear brick liner and two side brick liners onto bottom of the inner casing. Align grout lines on rear brick liner with grout lines on side brick liners. You must insert rear brick liner before inserting the two side brick liners.
4. Bend the liner brackets as shown in **Figures 1 and 2**.

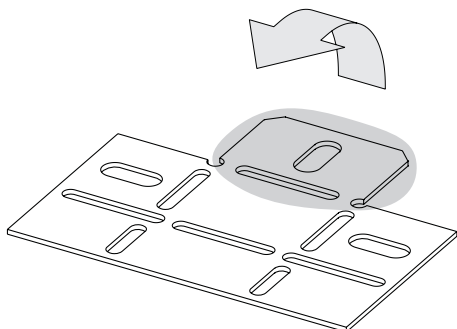


Figure 1

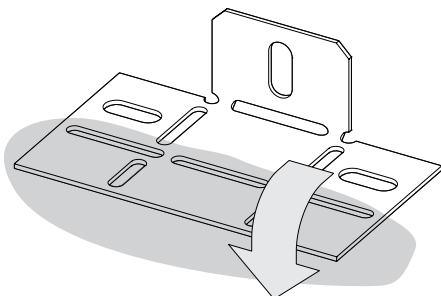


Figure 2

5. Secure the liner brackets to the firebox with the provided screws (one per bracket) as shown in **Figure 3 and 4**.

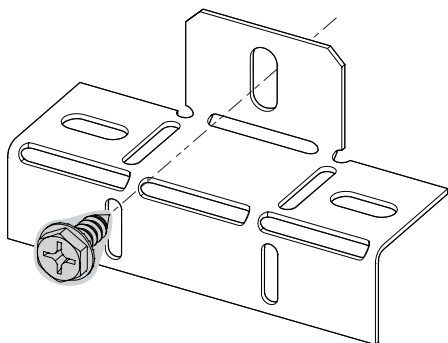


Figure 3

6. For a snug fit, adjust retainer by gently hand-bending along serrated section. **See Figure 4**.

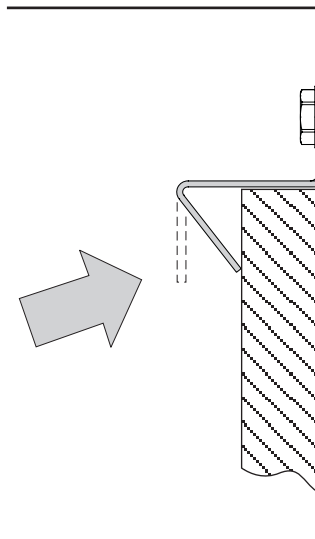


Figure 4

5. Install one "L" shaped brick liner bracket at the bottom of each side brick liner as illustrated. Secure to the bracket to the firebox with the provided screws (one per bracket). **See Figure 5**.

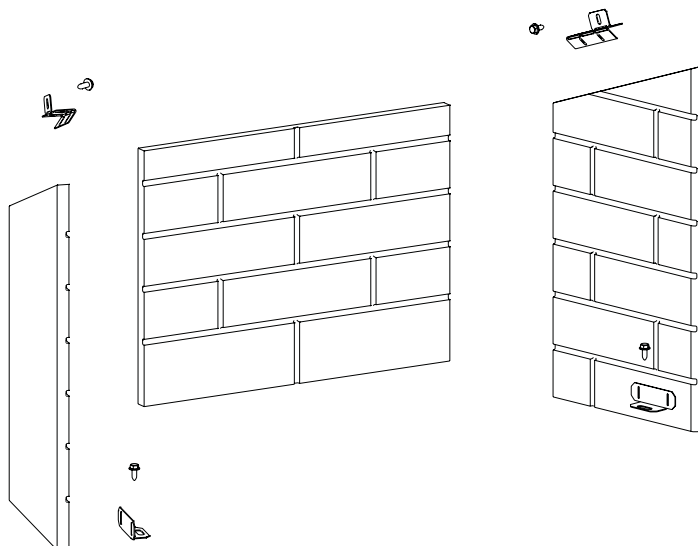
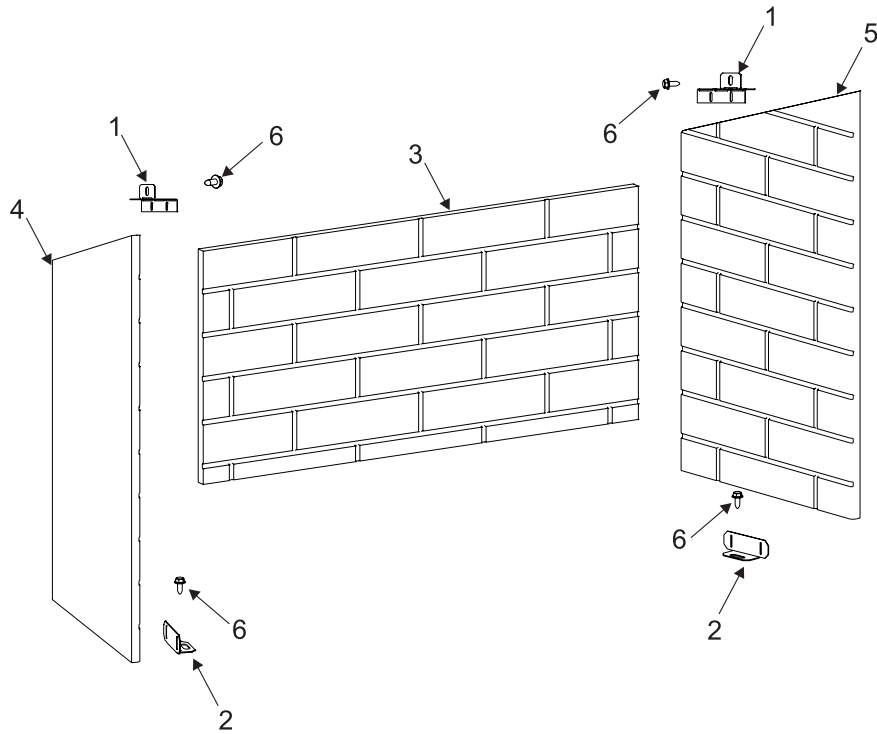
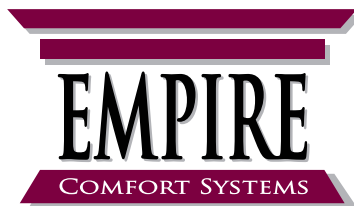


Figure 5

6. Install logs onto burner assembly. Refer to appropriate Installation Instructions and Owner's Manual.
7. Attach screen assembly to fireplace.
8. Installation of optional brick liner is completed.



PARTS LIST			
Index No.	Part No.	Description	Quantity Supplied
1	29270	Upper Retainer Bracket	2
2	19401	Bottom Retainer Bracket	2
3	R6498	Back Panel	1
4	R6499	Side Panel - Right	1
5	R6497	Side Panel - Left	1
6	R2737	10 x 1/2" Screws	4



SINCE 1932

www.empirecomfort.com

Empire Comfort Systems Inc.
Belleville, IL

If you have a general question about our products, please e-mail us at info@empirecomfort.com.

If you have a service or repair question, please contact your dealer.